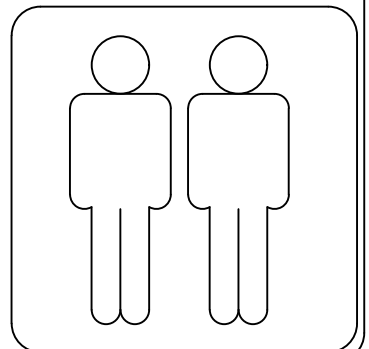
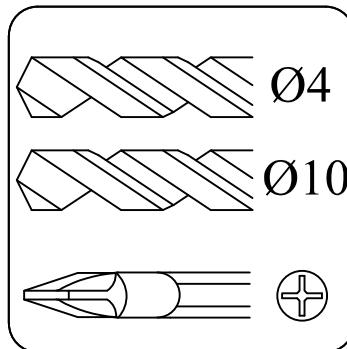
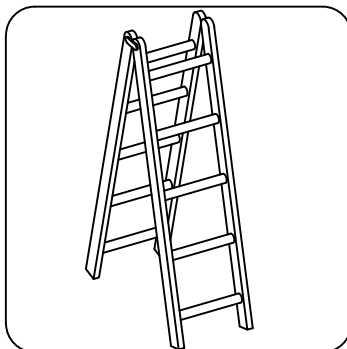
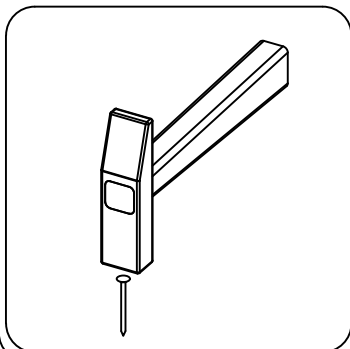
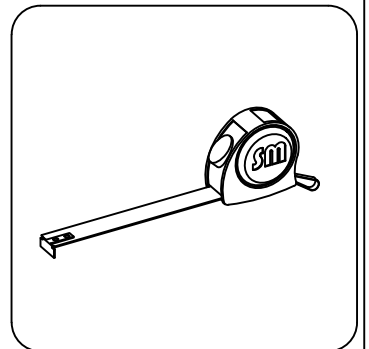
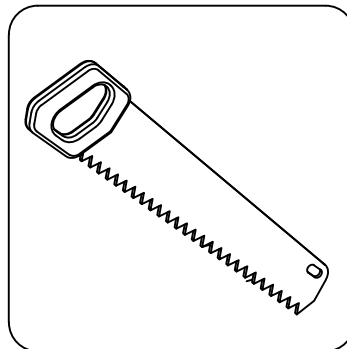
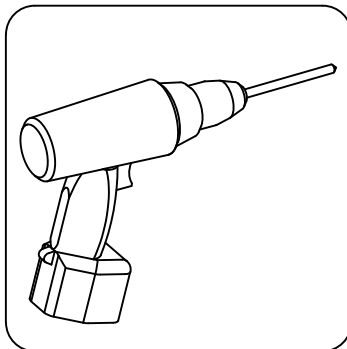
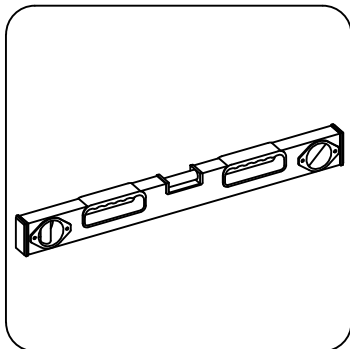
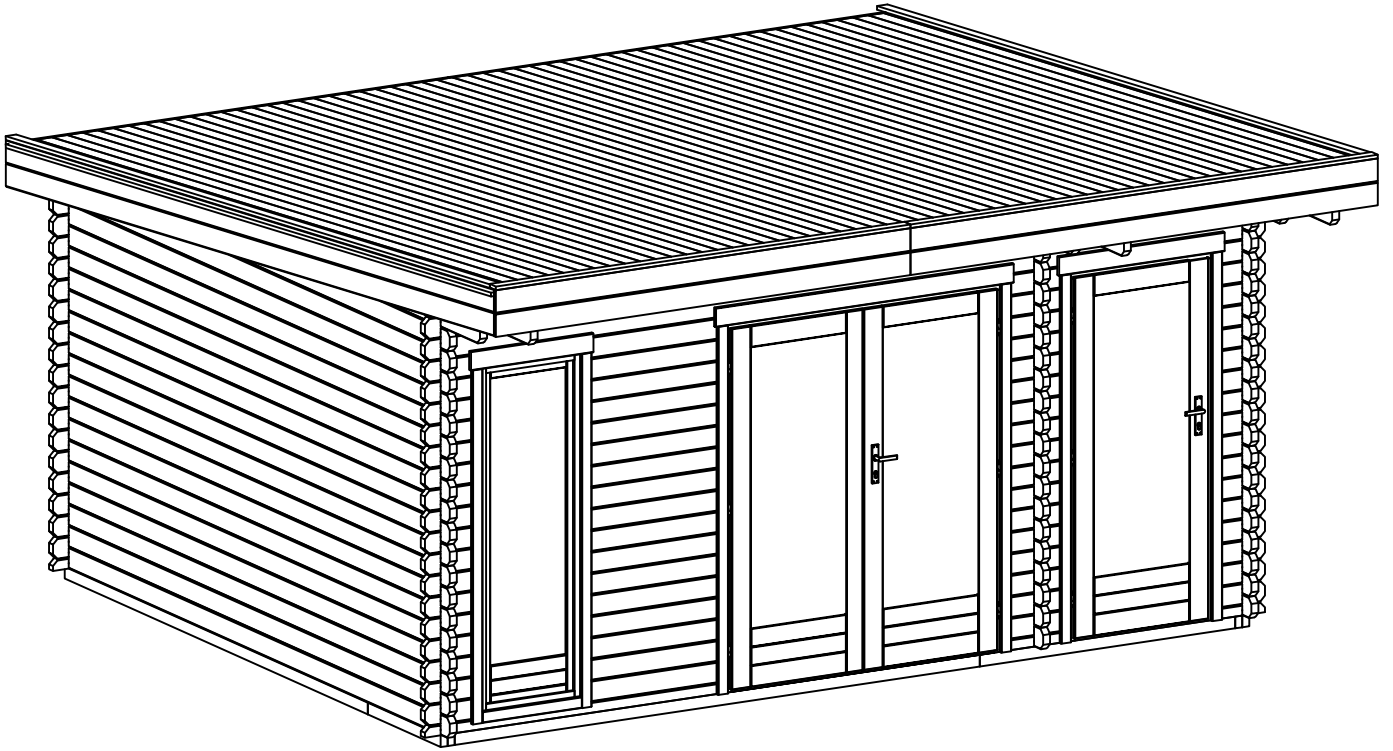


→||←40mm

4,8 x 3,9

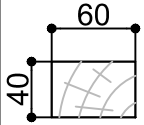

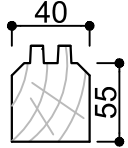
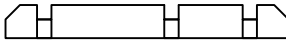
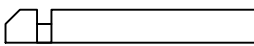

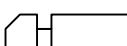
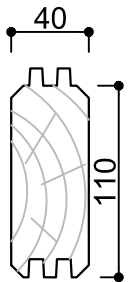

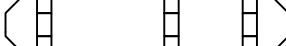
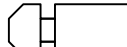
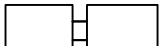
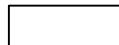
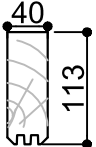
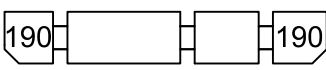

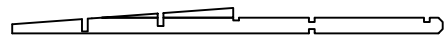
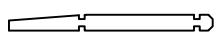
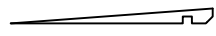
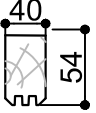
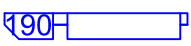

**40233**



→||←40mm

SPECIFICATION 4,8 x 3,9

40233

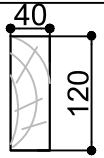
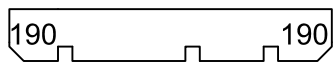
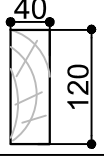

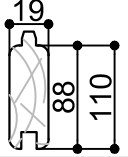
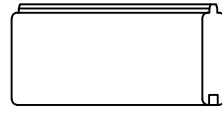
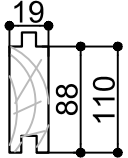
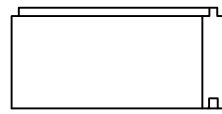
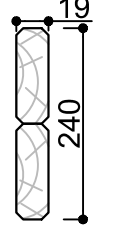
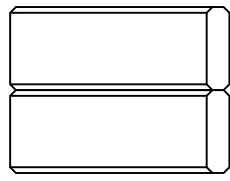
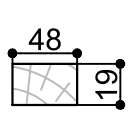
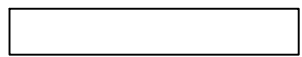
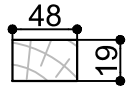
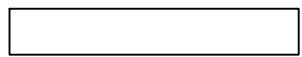
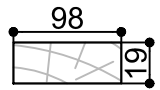
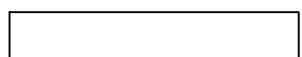
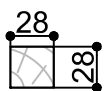
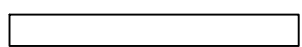
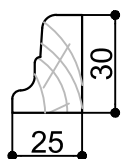
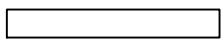
Dim.	Skizze, sketch	Pos.	Länge, Length, mm	Stck/ Qty	Name	Ref.
		①	3000	14	Fundamentbalken Foundation beam	
		②	1460	10		
		③	720	4		
		④	400	6		
		⑤	4800	1	Zurück Brett Back board	
		⑥	1695	1	Front Brett Front board	
		⑦	350	1	Front Brett Front board	
		⑧	285	1	Front Brett Front board	
		⑨	3900	57+1	Seiten Brett Side board	
		⑩	4800	23+1	Front/Zurück Brett Front/Back board	
		⑪	285	34	Front Brett Front board	
		⑫	350	17	Front Brett Front board	
		⑬	770	17	Front Brett Front board	
		⑮	5000	2	Front/Zurück Brett Front/Back board	
		⑯	4200	3	Seiten Brett Madrier latéral Side board	
		⑰	2993	3	Seiten Brett Madrier latéral Side board	
		⑱	1416	3	Seiten Brett Madrier latéral Side board	
		⑲	877	3	Seiten Brett Madrier latéral Side board	
		21a	3600	1	Front Brett Madrier avant Front board	
		21b	1400	1		

Alle maßen ca +/-3% / size tolerance +/- 3%

→ || ← 40mm

SPECIFICATION 4,8 x 3,9

40233


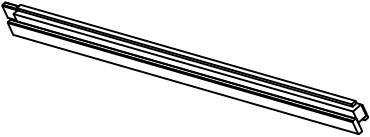

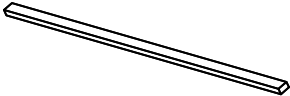
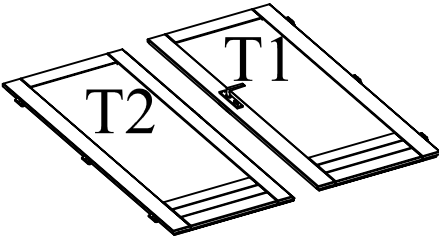
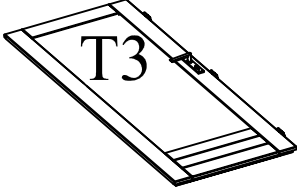
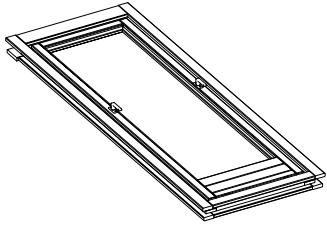
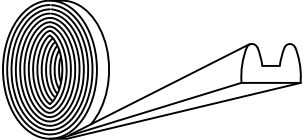
		21	5000	6	Sparren Rafter	
		22	90	2		
		23	4800	57+1 (46+1)	Dach Brett Roof board	
		24	3630	52+1 (42+1)	Boden Brett Floor board	
		26a	4850	1+1	Wind Brett Wind board	
		26b				
		27a	2519	1+1	Wind Brett Wind board	
		27b				
		28	2406	4	Wind Brett Wind board	
		29	2519	2		
		30	2500	2	Wind Brett Wind board	
		31	2500	1	Wind Brett Wind board	
		32	2500	1		
		33	3640	4		
		34	3650	1		
		35	1150	1		
		36	1550	1		
		37	800	1		

Alle maßen ca +/-3% / size tolerance +/- 3%

→||←40mm

## SPECIFICATION 4,8 x 3,9

**40233**


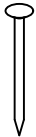
	(TR1)	1973	1	Türrahmen links Door frame left	
	(TR5)	1973	1		
	(TR2)	1973	1	Türrahmen rechts Door frame right	
	(TR6)	1973	1		
	(TR3)	1700	1	Über Türrahmen Door frame top	
	(TR7)	945	1		
	(TR4)	1500	1	Türstufe Door frame bottom	
	(TR8)	745	1		
	(T1)	1850x 765	1	Tür Doors	
	(T2)	1850x 765	1		
	(T3)	1850x 765	1	Tür Doors	
	(F1)	1955x 700	1	Fenster Window	
		4.7m	1	Dichtgummi Sealing rubber	

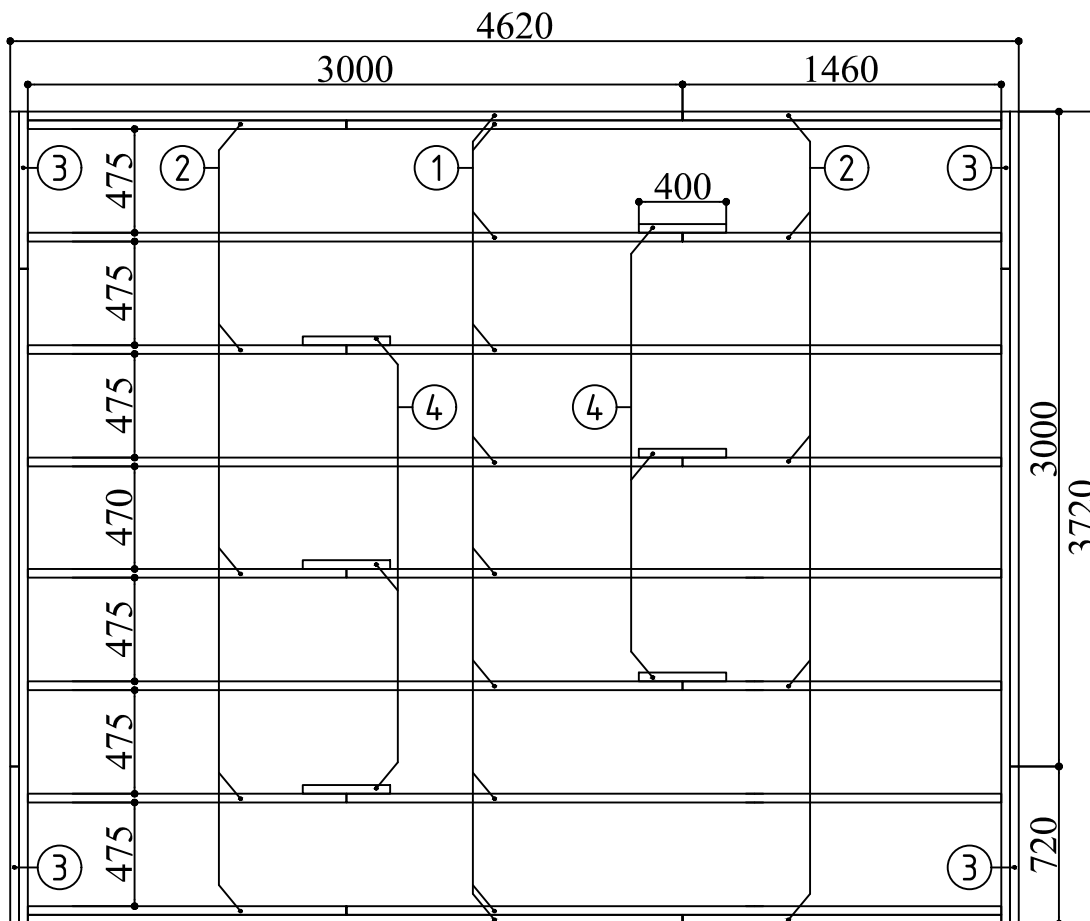
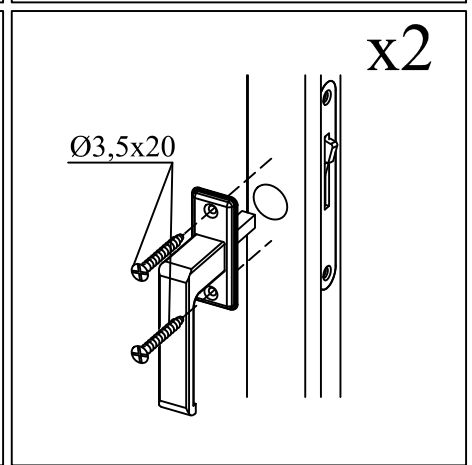
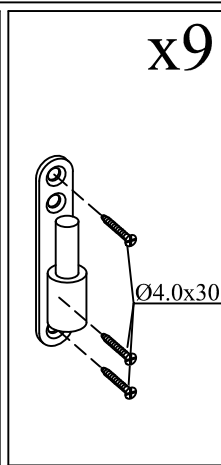
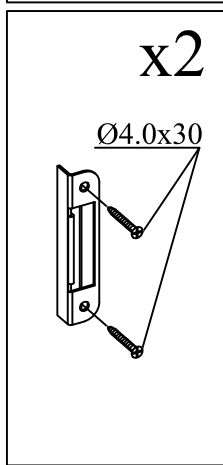
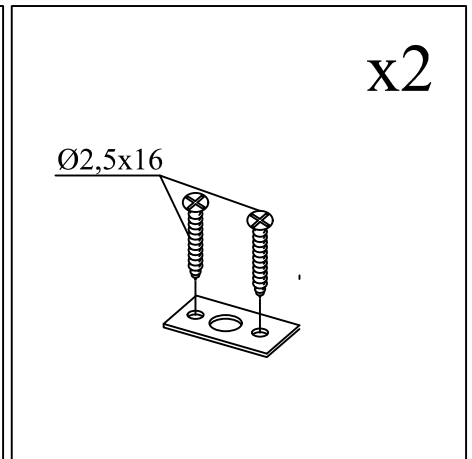
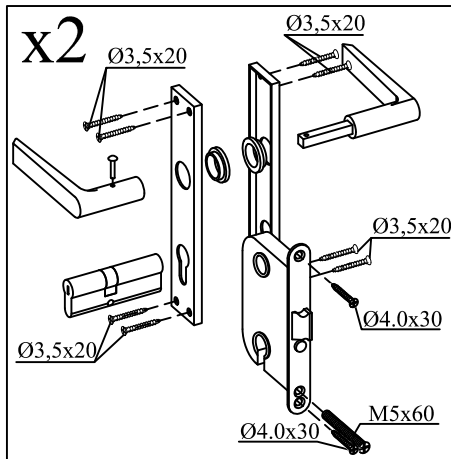
Alle maßen ca +/-3% / size tolerance +/- 3%

→||←40mm

# SPECIFICATION 4,8 x 3,9

# 40233

	Pos.	Dim	Stck.
		Ø5.0 x 120	25
		Ø3.5 x 60	54
		Ø3.5 x 80	20
		Ø3.5 x 40	117
		Ø2.0 x 40	520
		Ø2.0 x 50	420



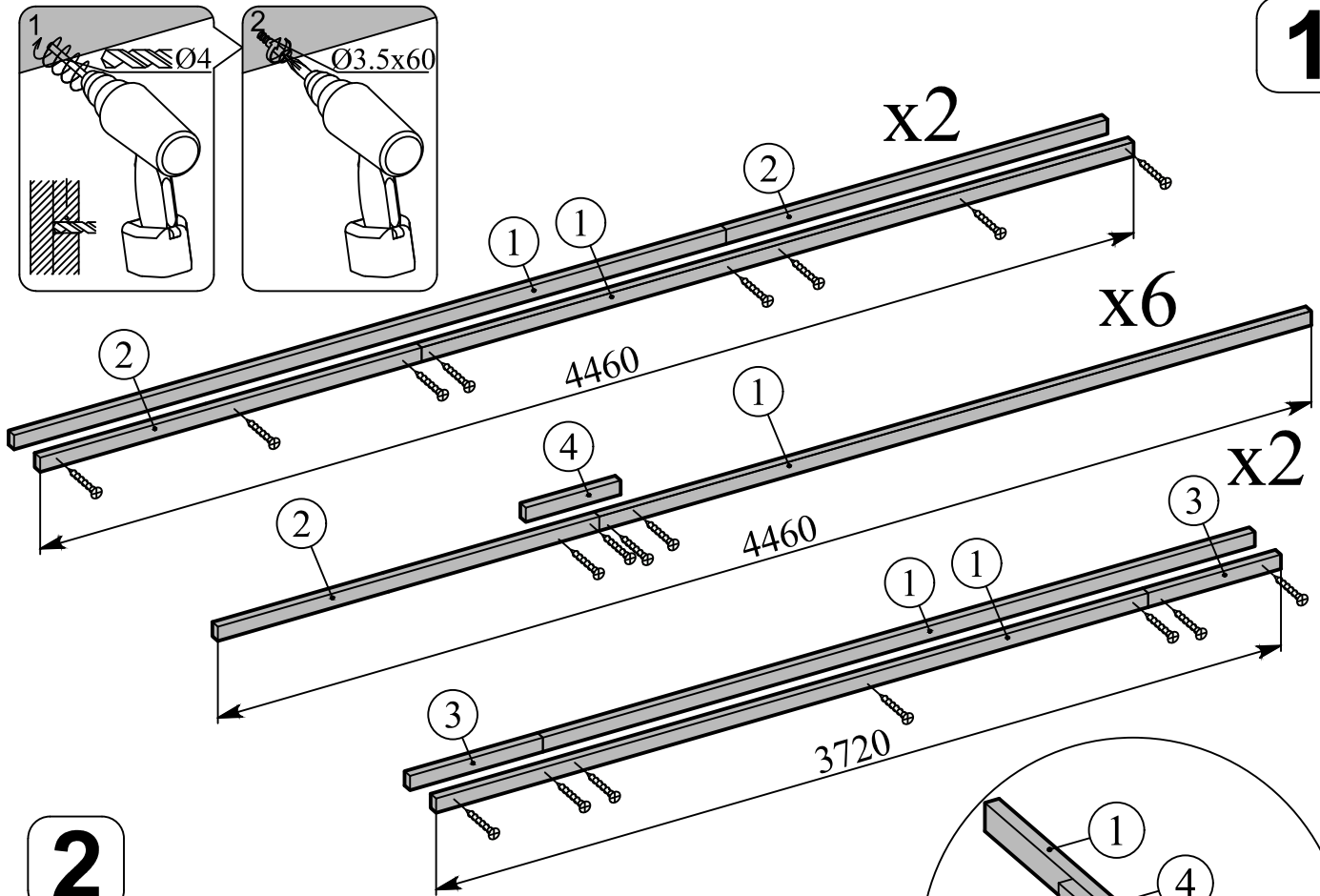
Alle maßen ca +/-3% / size tolerance +/- 3%

→||←40mm

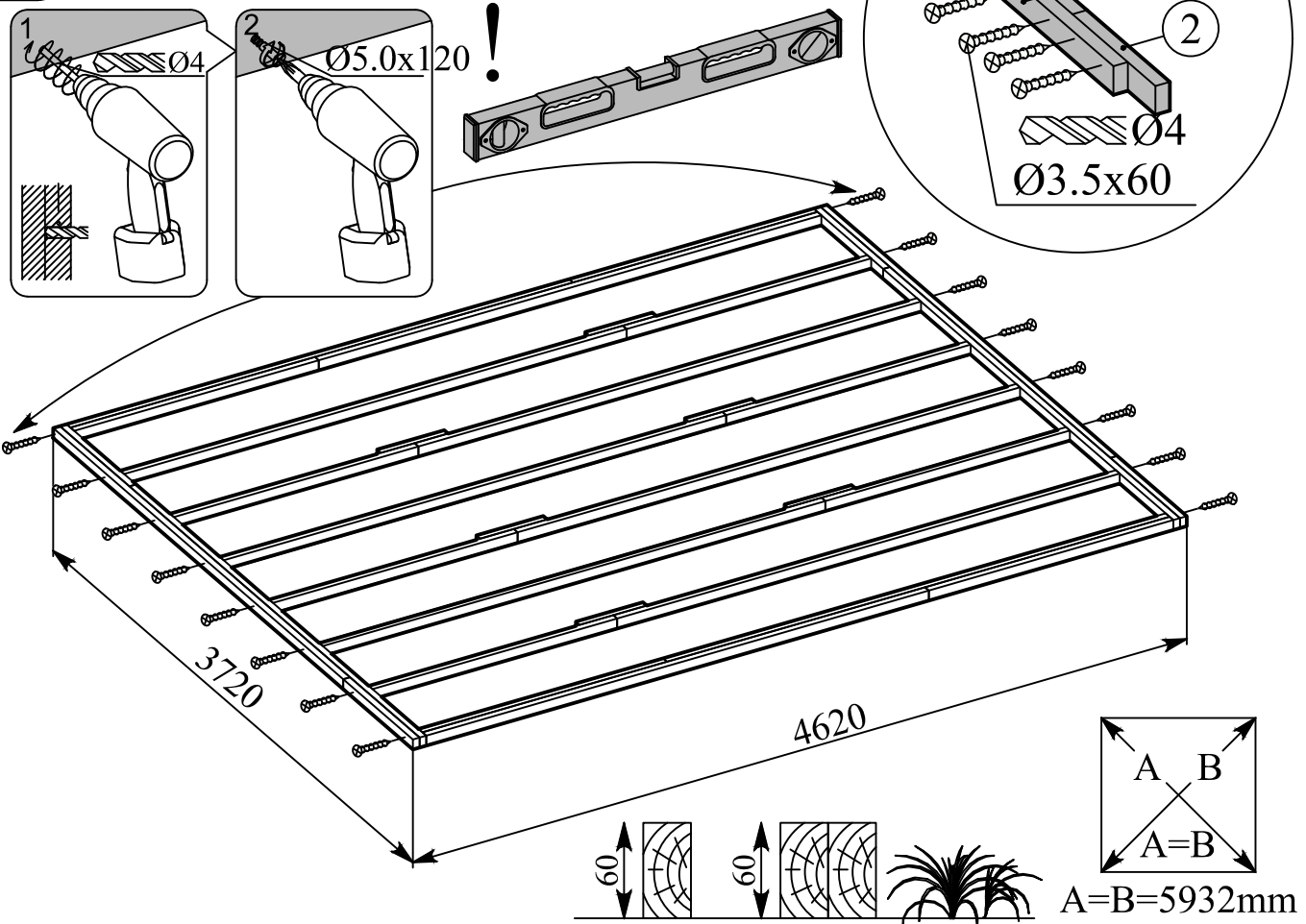
4,8 x 3,9

**40233**

**1**



**2**

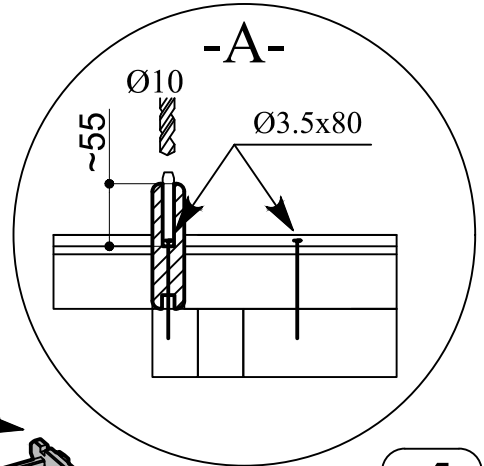
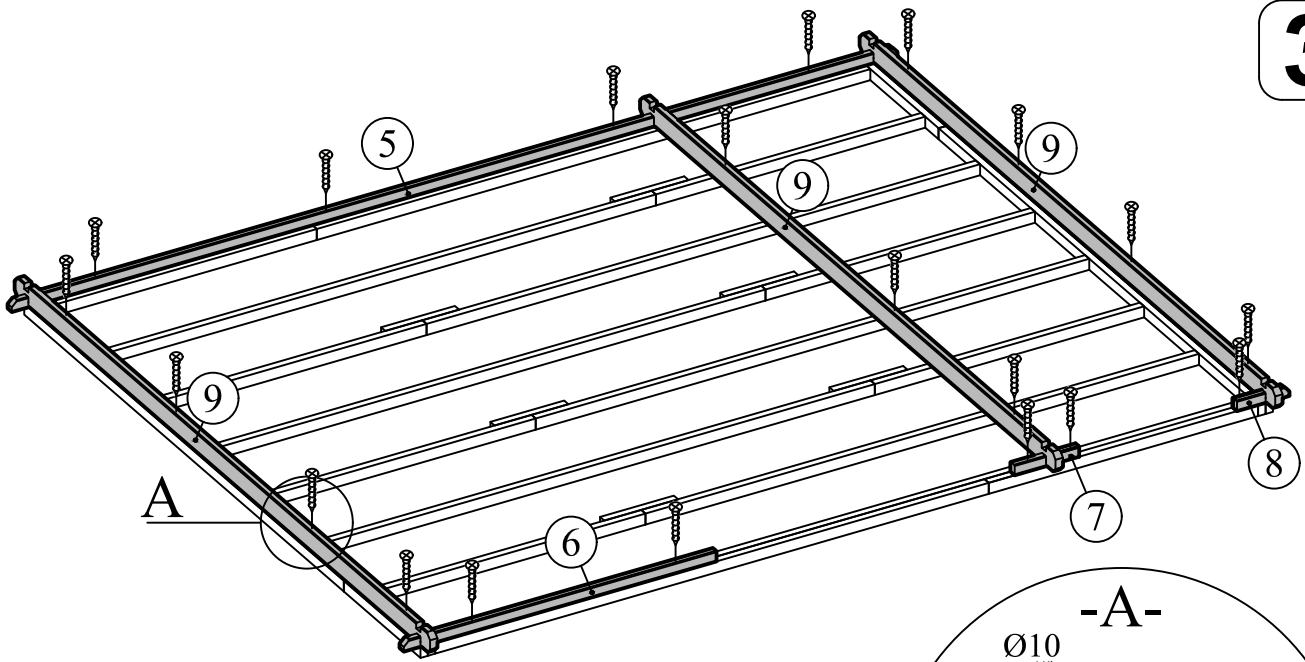


→||←40mm

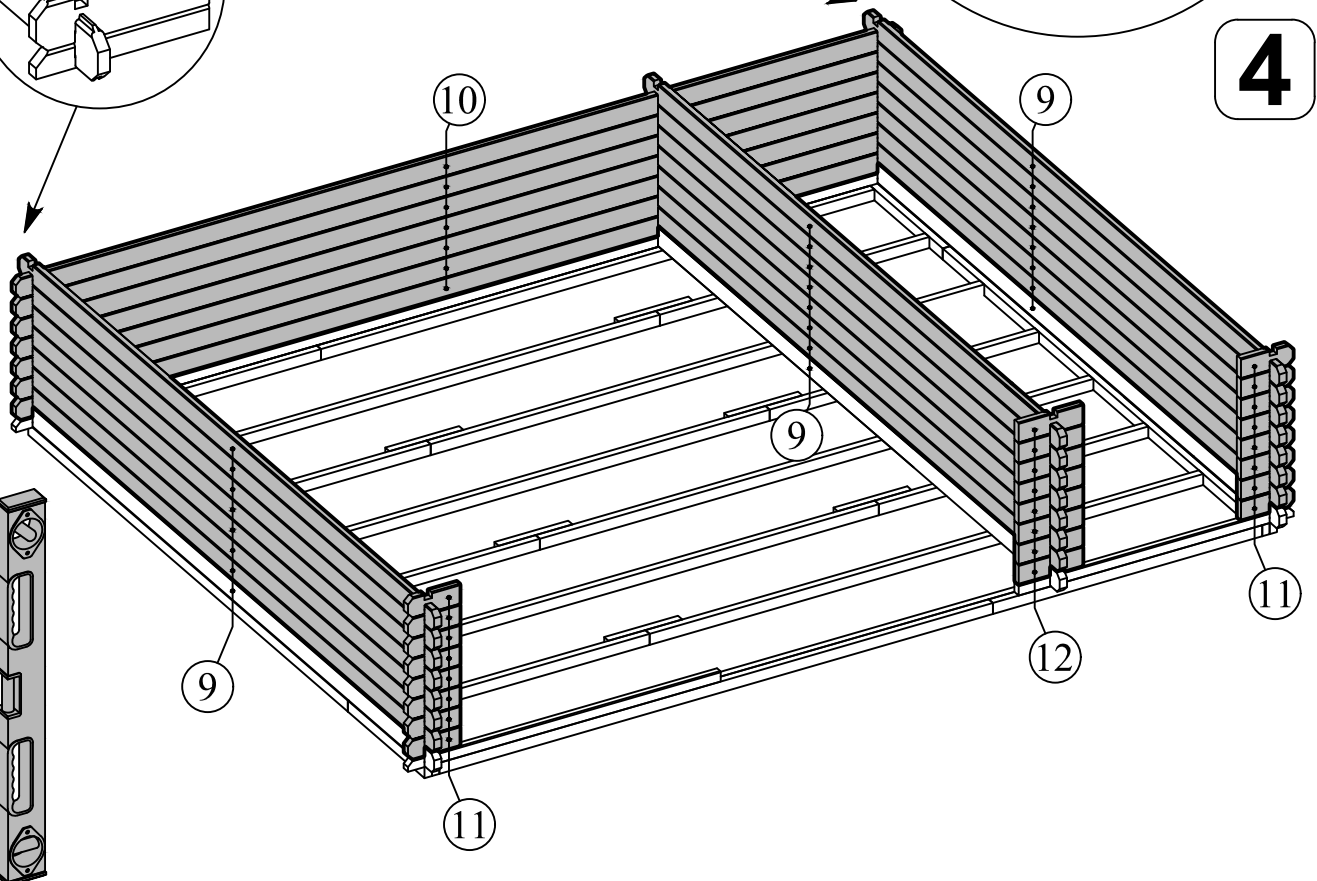
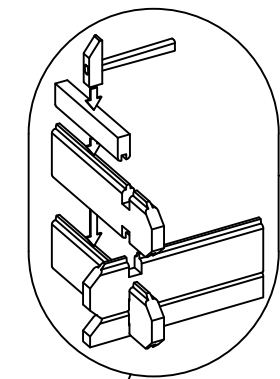
4,8 x 3,9

40233

3



4

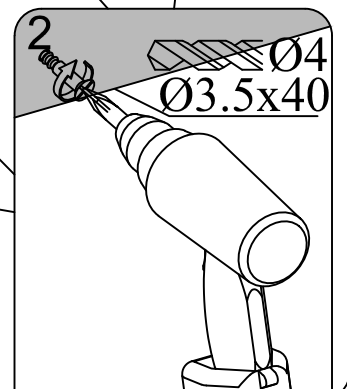
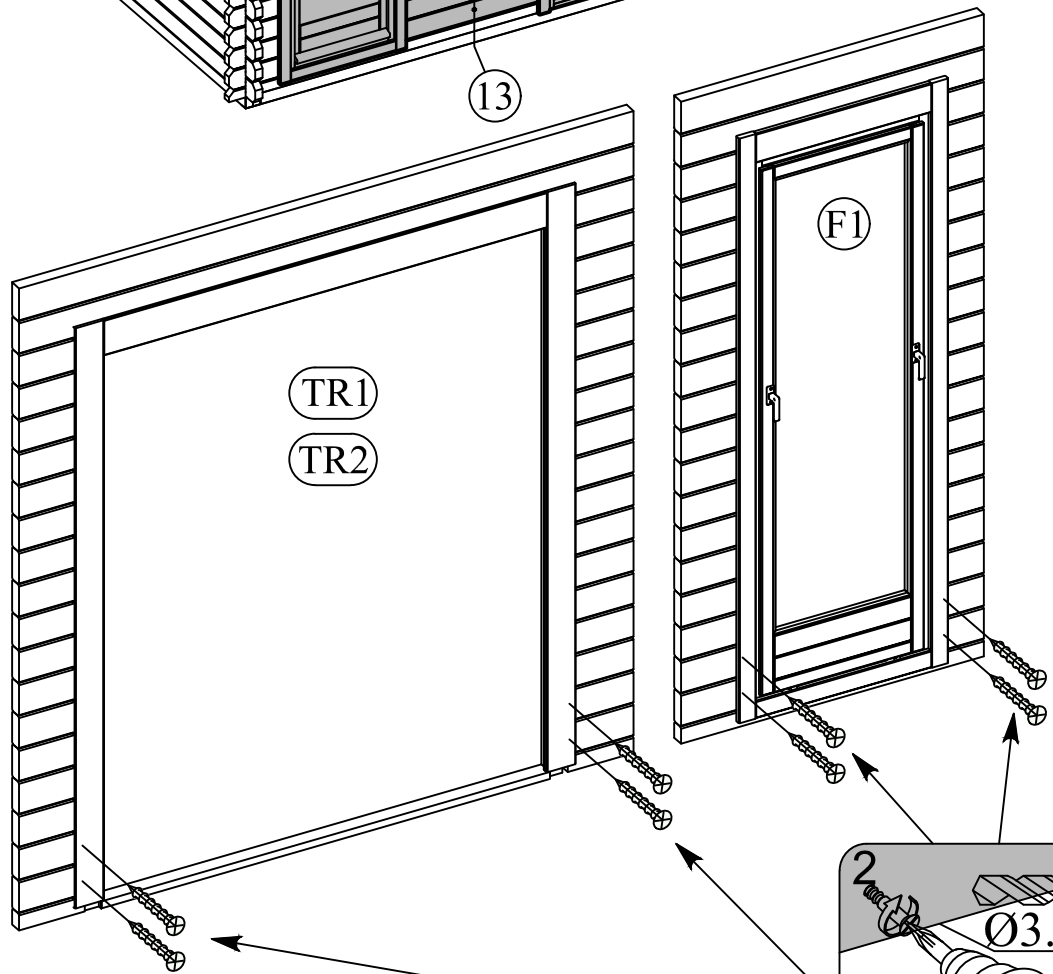
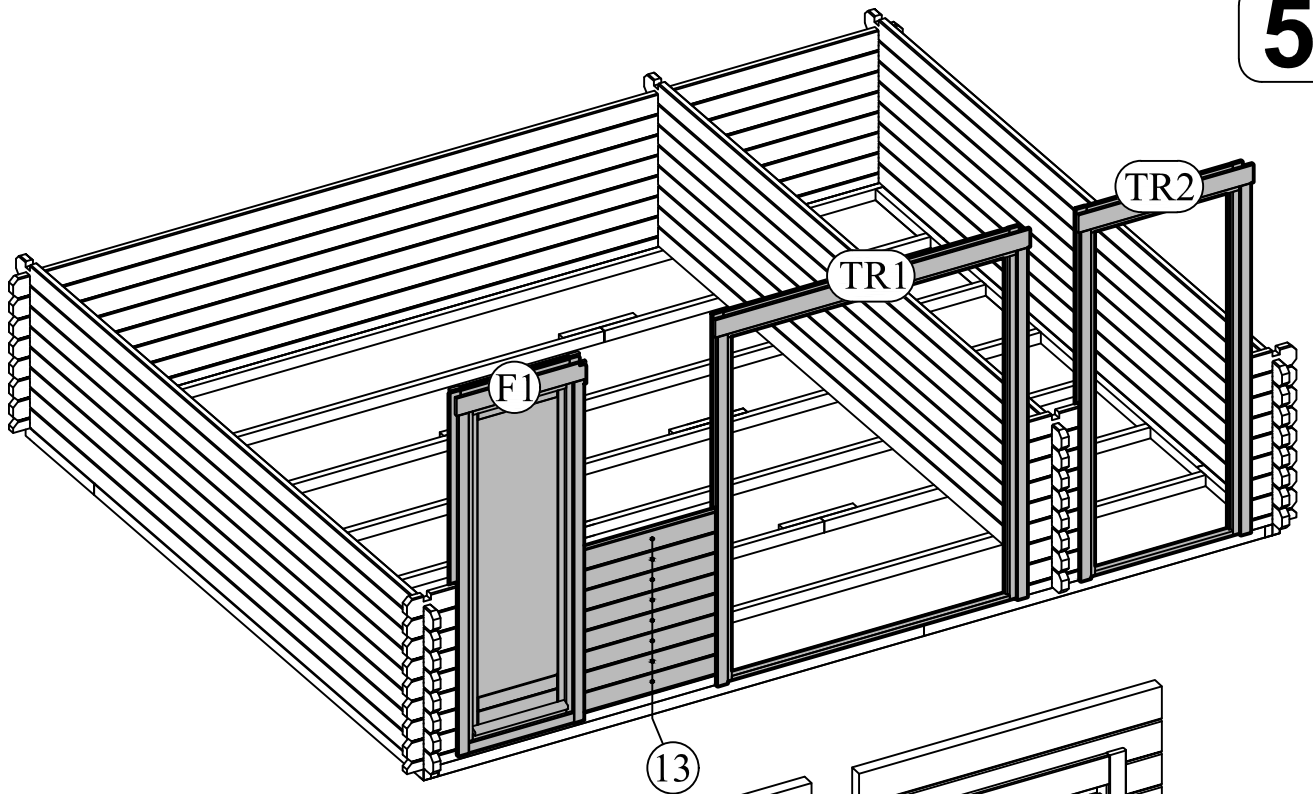


→||←40mm

4,8 x 3,9

40233

5

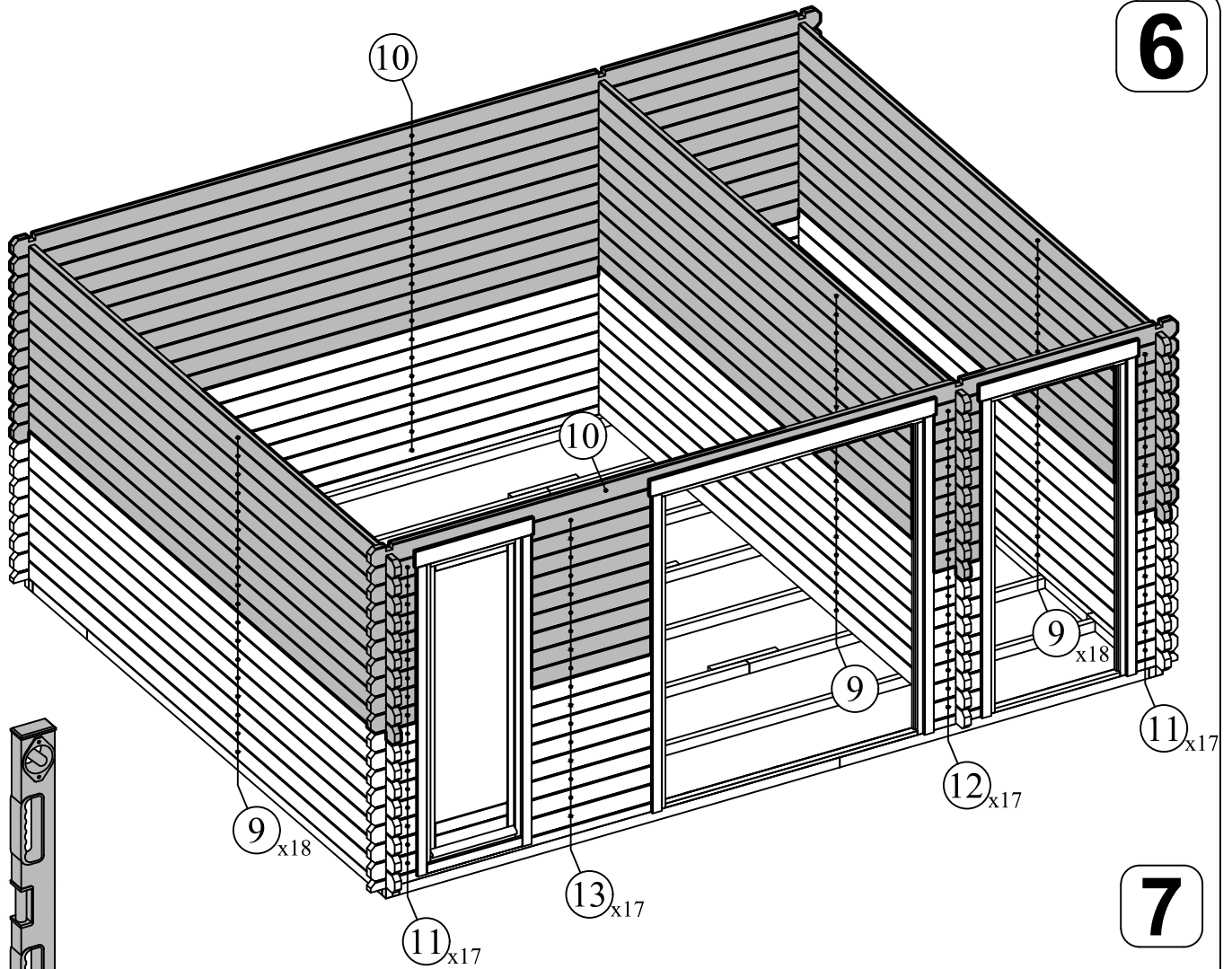


→||←40mm

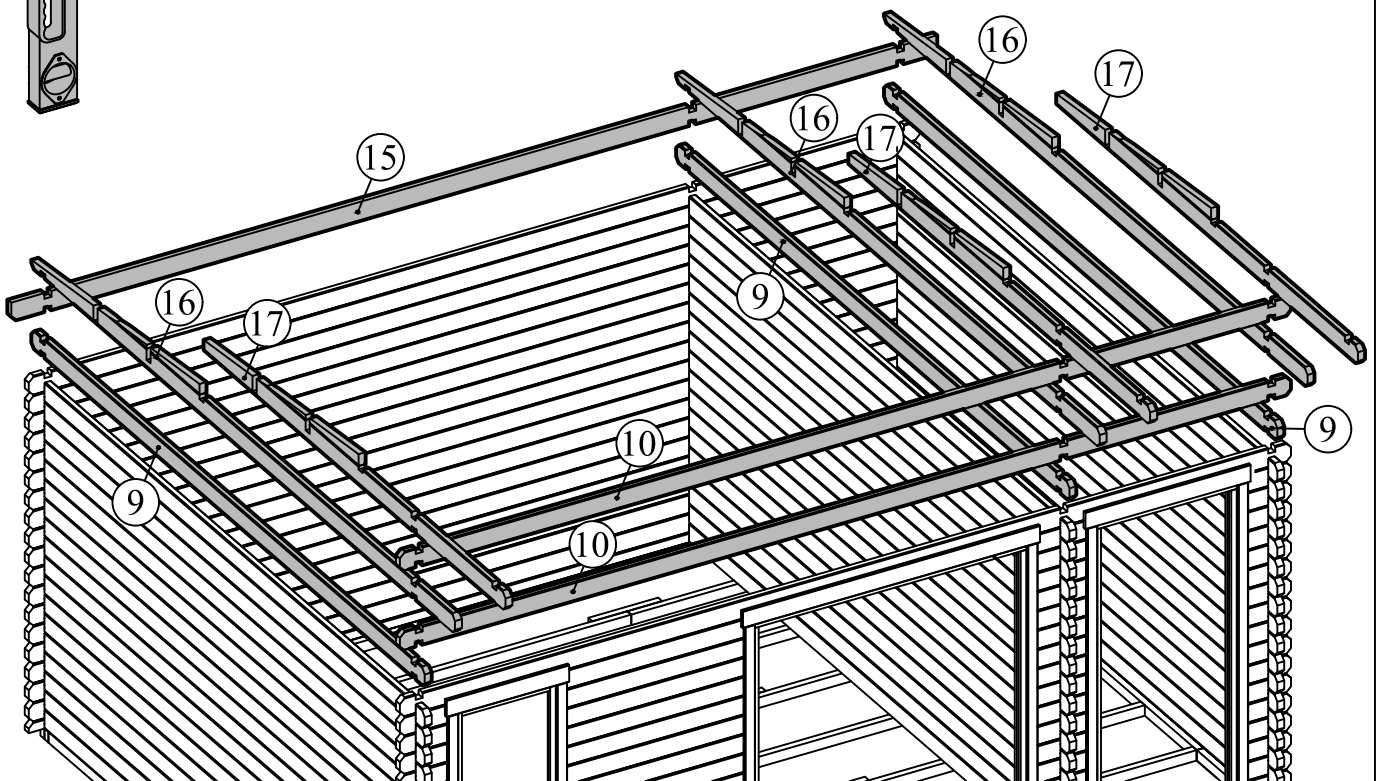
4,8 x 3,9

40233

6



7

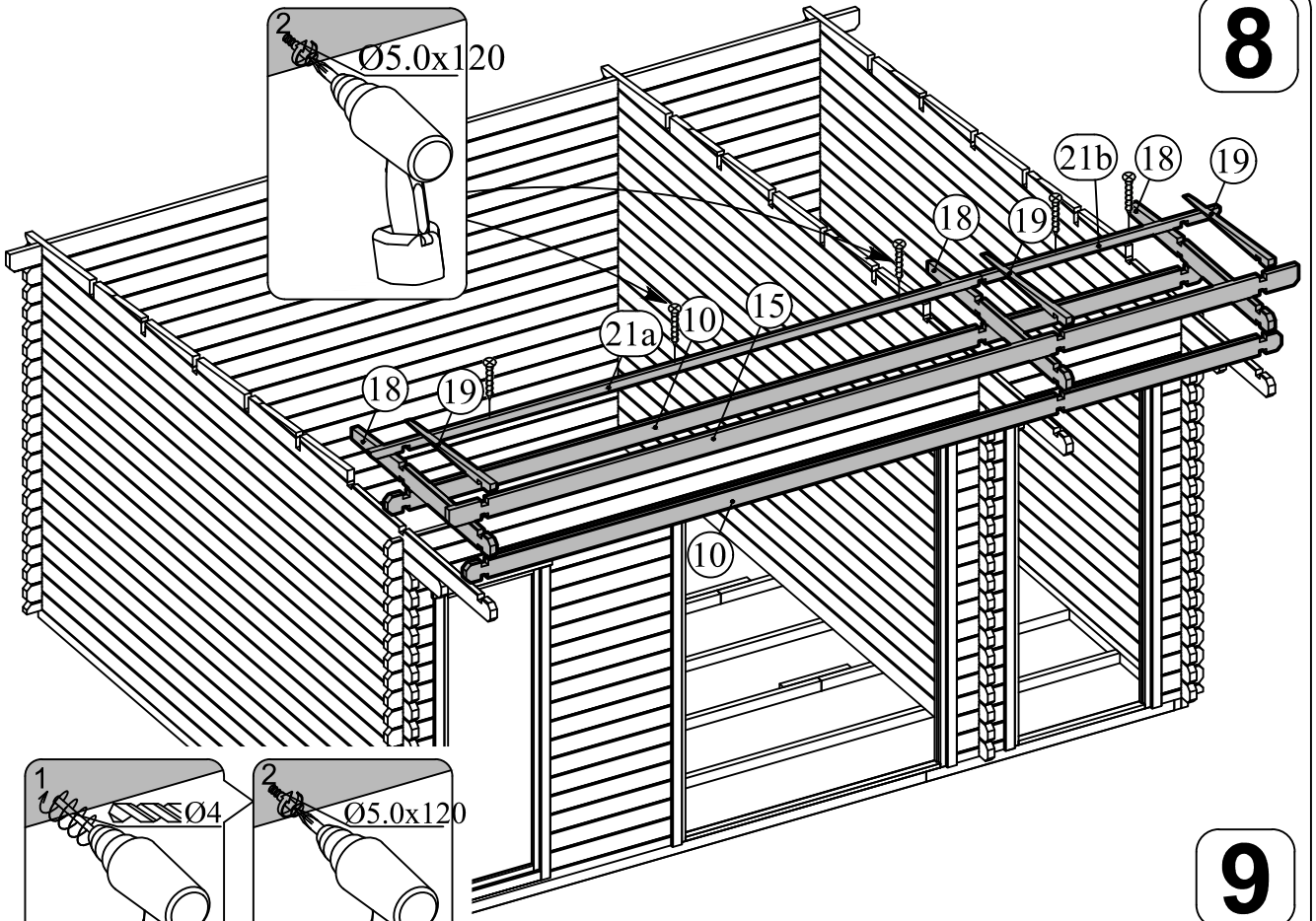


→||←40mm

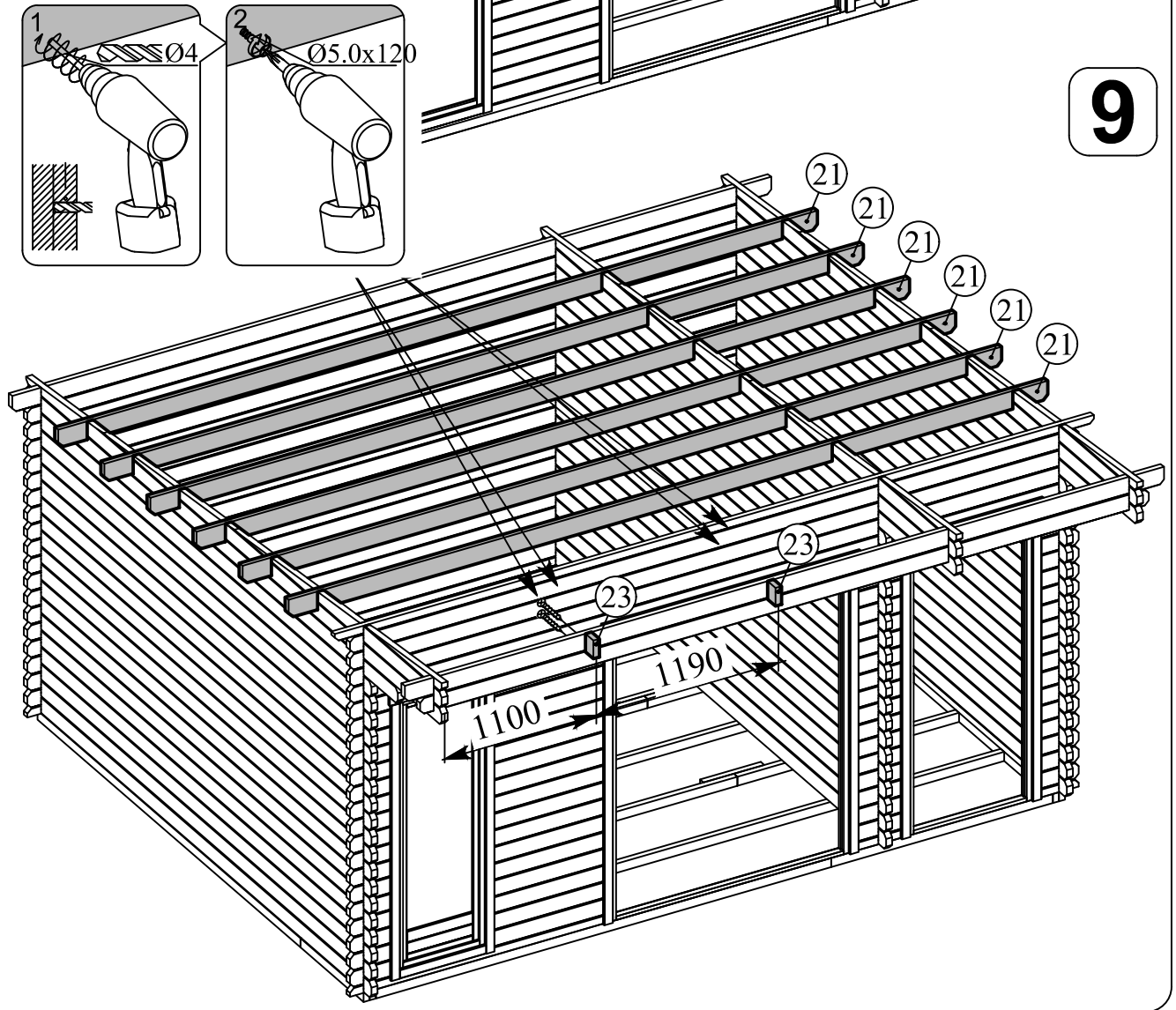
4,8 x 3,9

40233

8



9

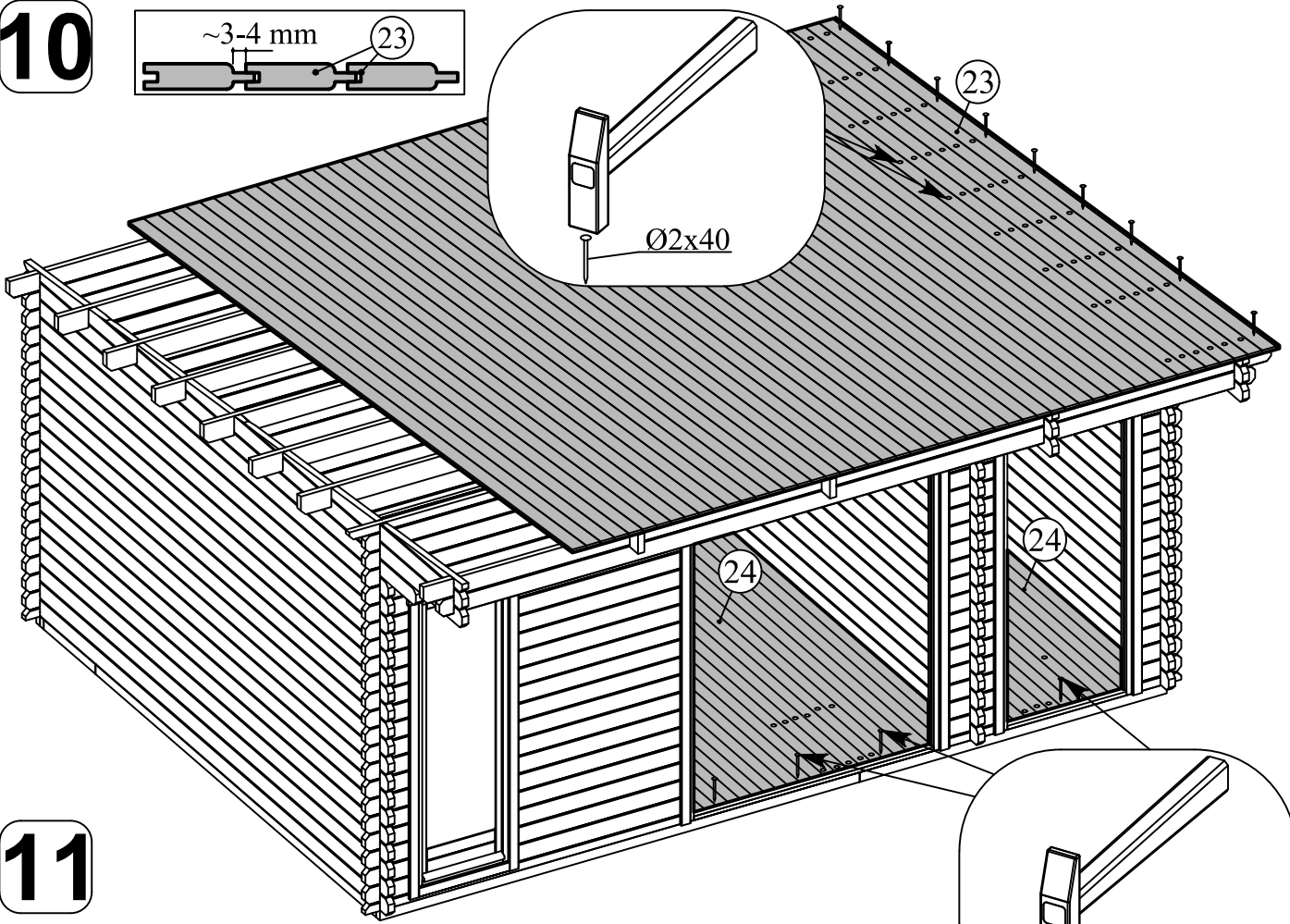
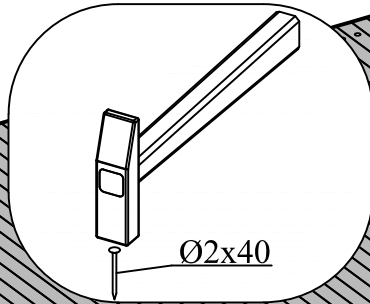
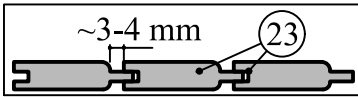


→||←40mm

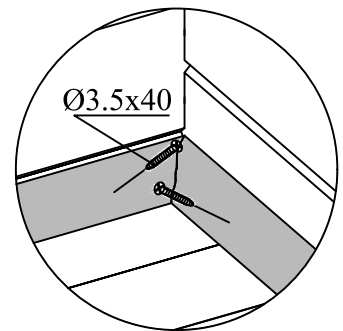
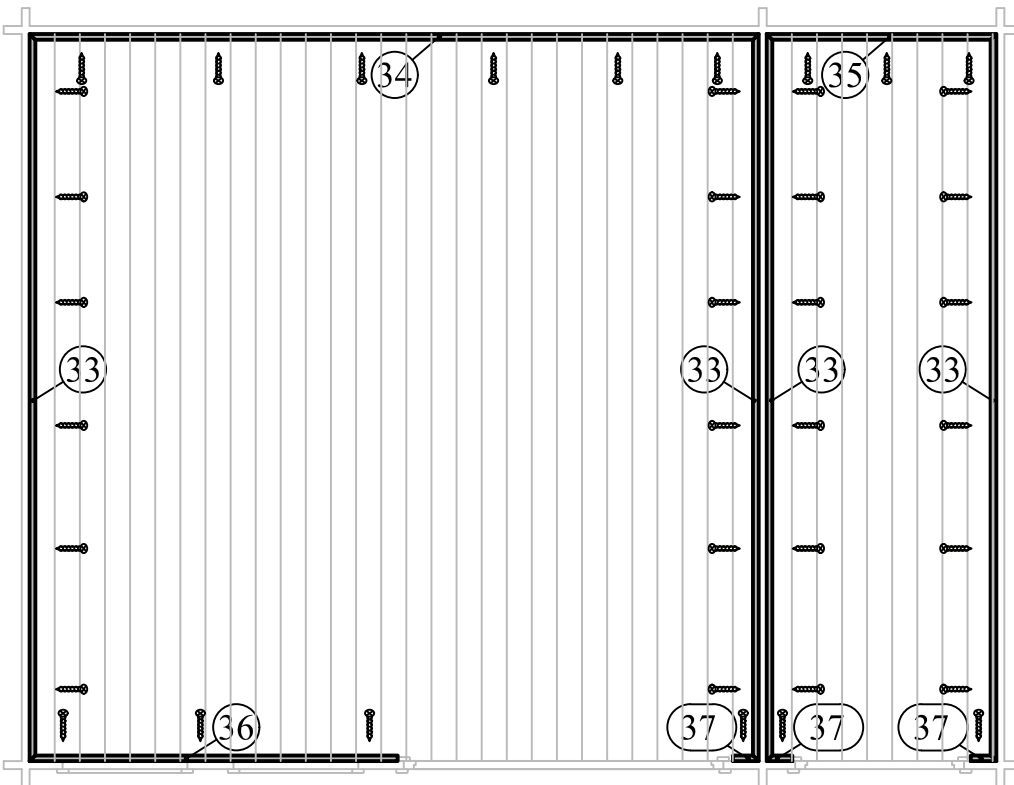
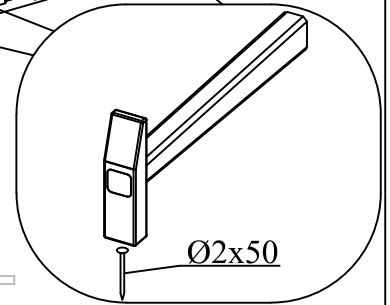
4,8 x 3,9

**40233**

**10**



**11**

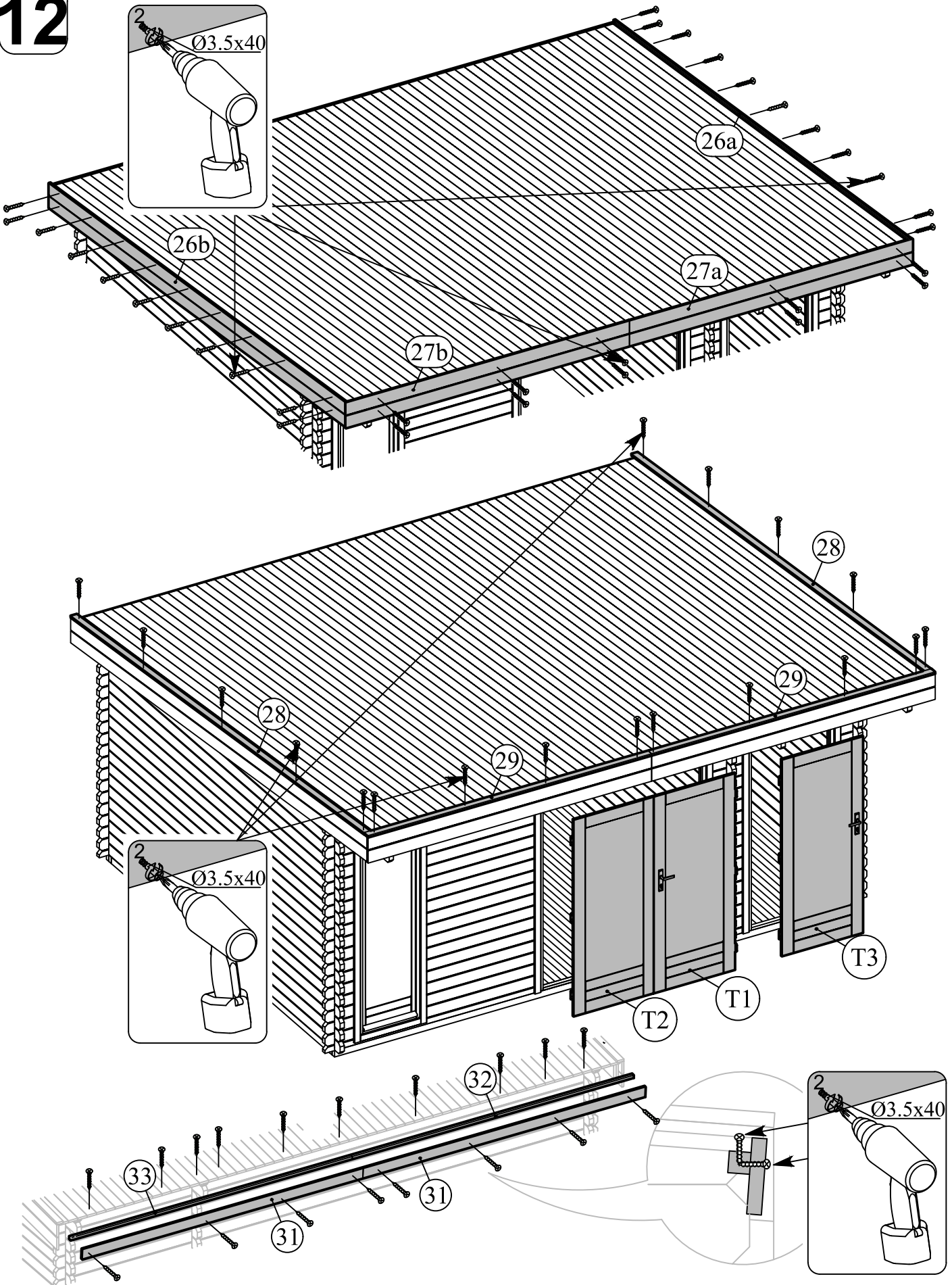


→||←40mm

4,8 x 3,9

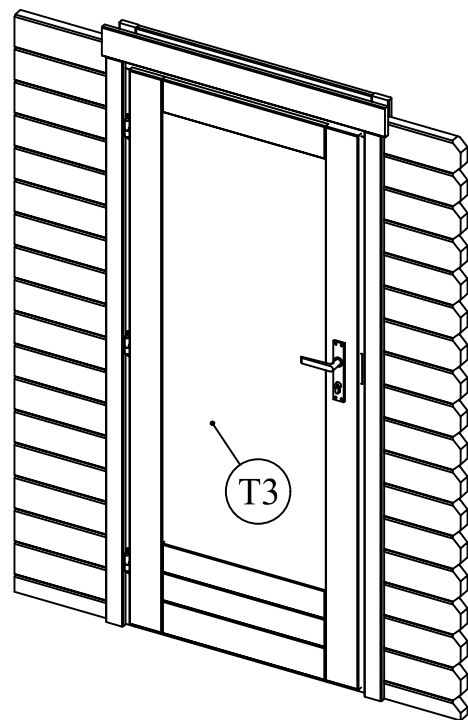
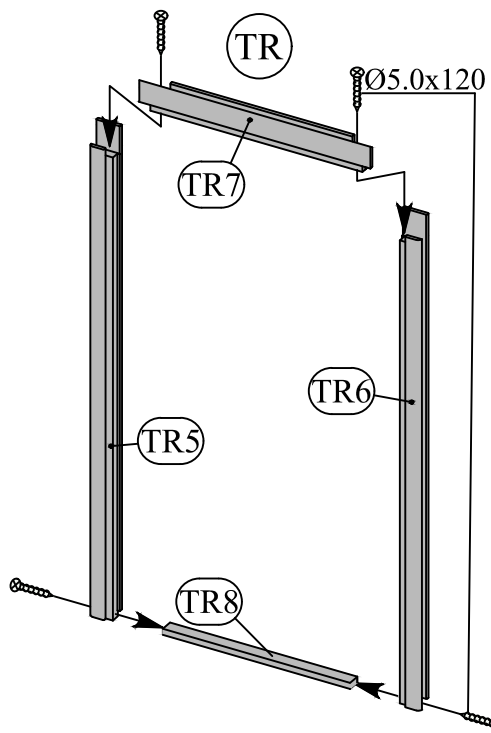
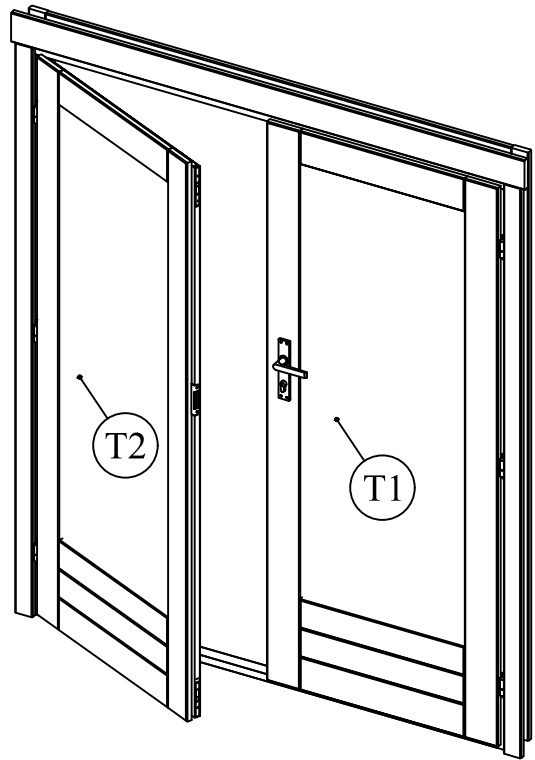
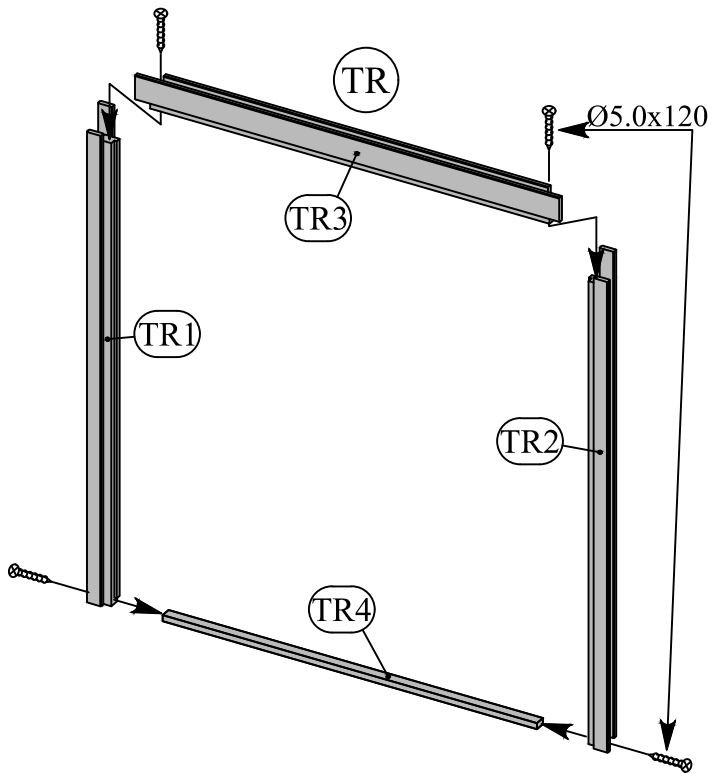
40233

12



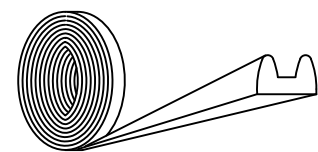
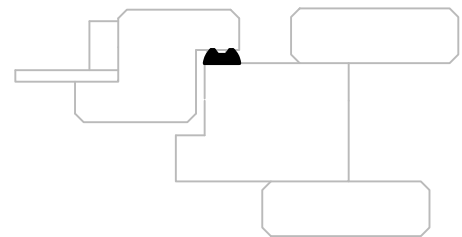
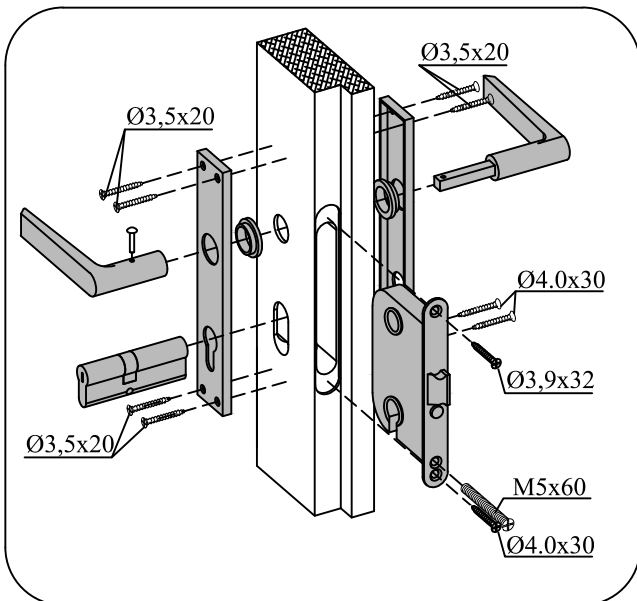
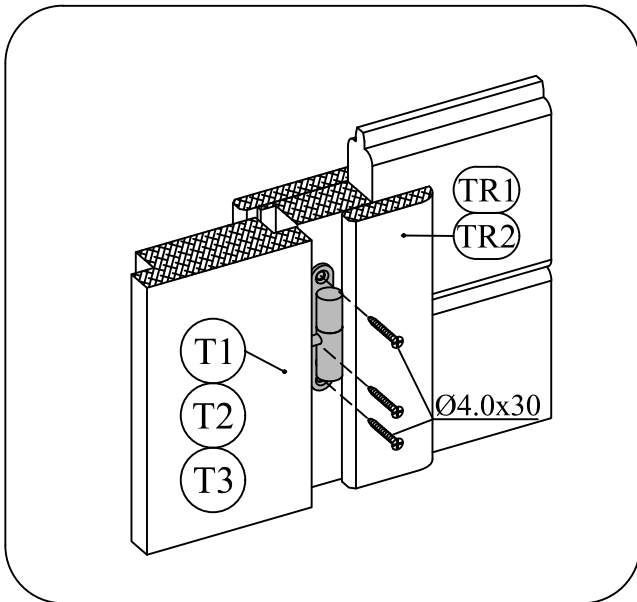
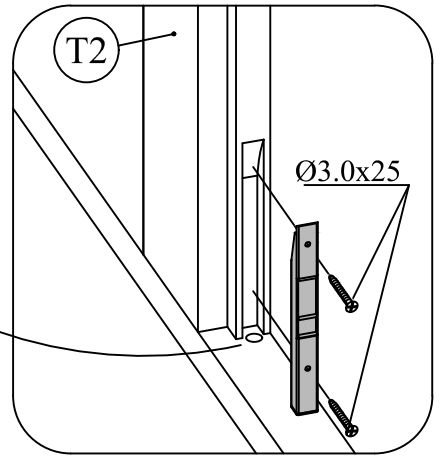
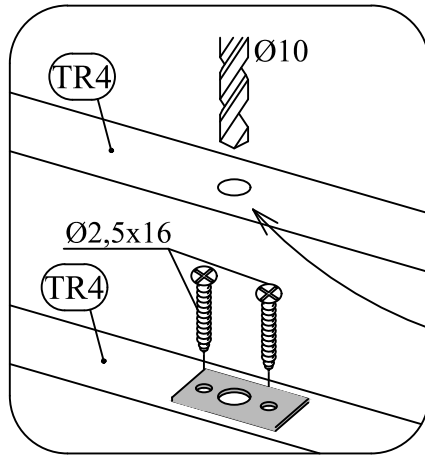
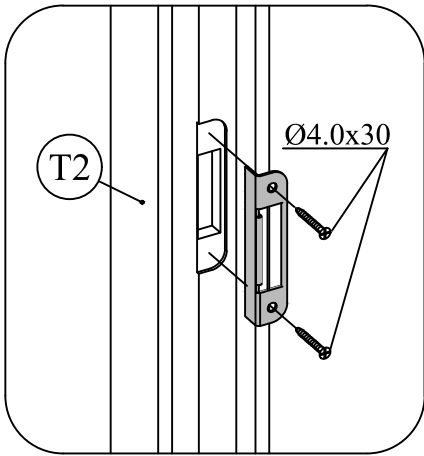
→ || ← 40mm

4,8 x 3,9 **40233**



→||←40mm

4,8 x 3,9 **40233**



Dichtgummi  
sealing rubber