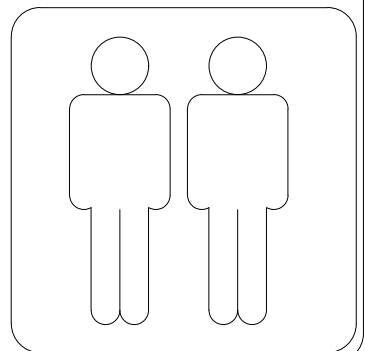
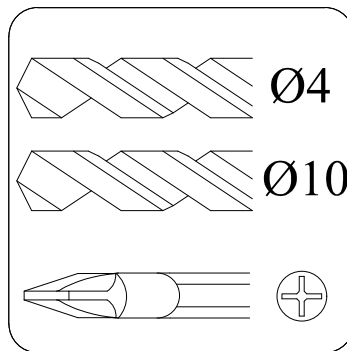
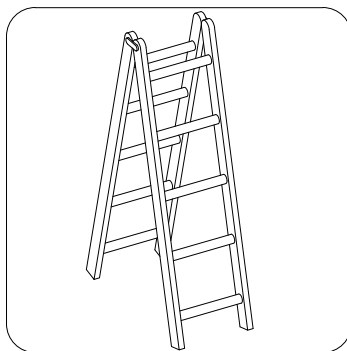
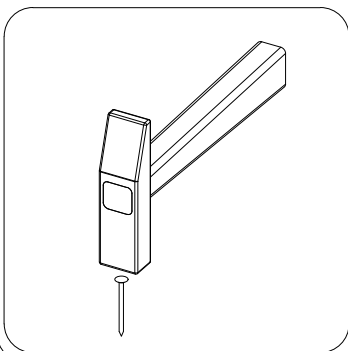
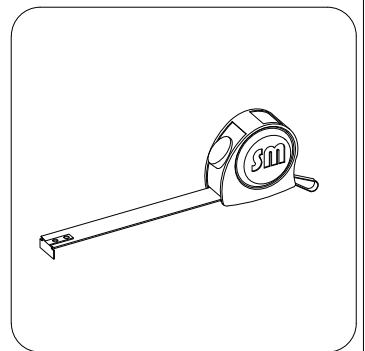
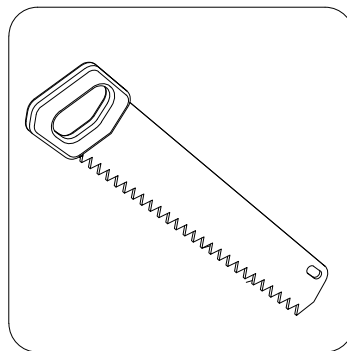
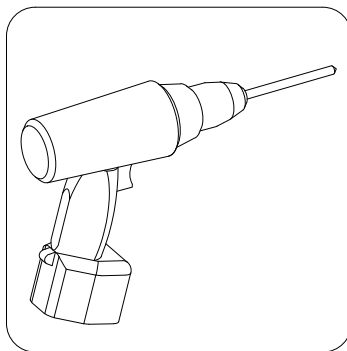
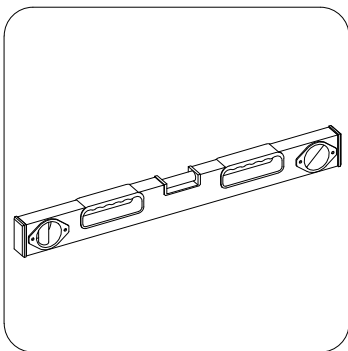
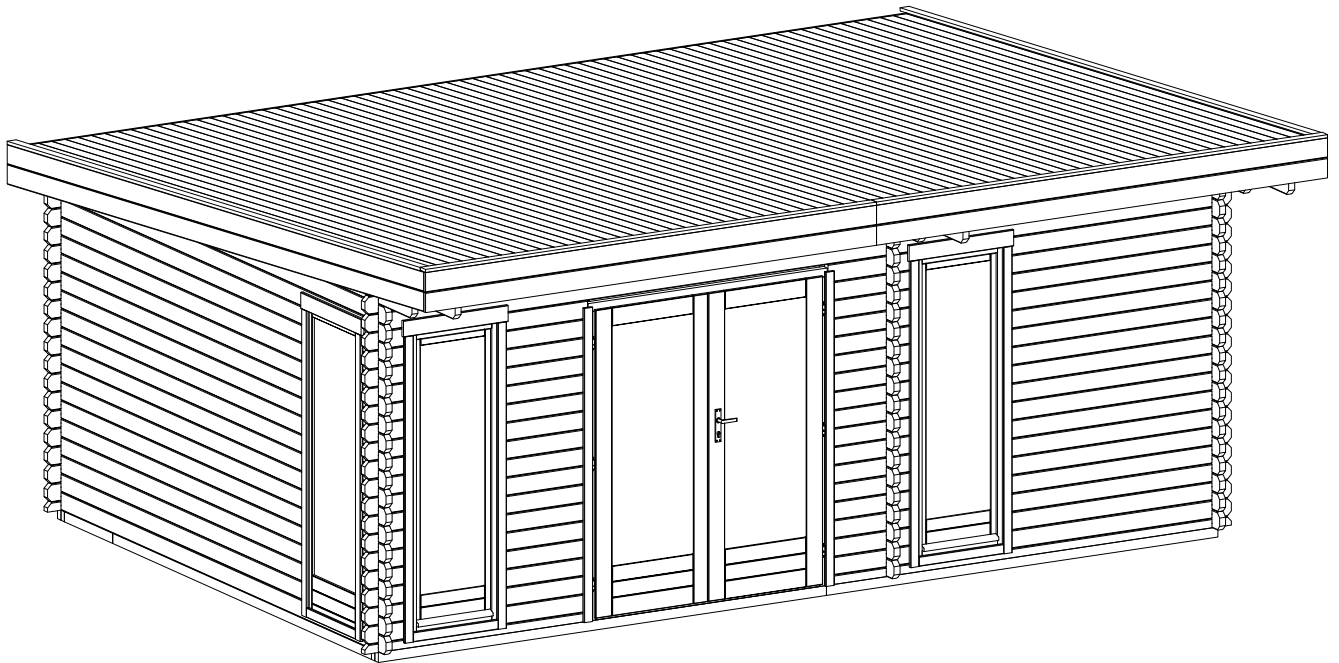


→ || ← 40mm

5,8 x 3,9

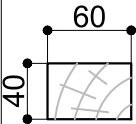

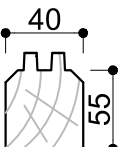


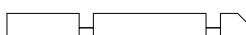
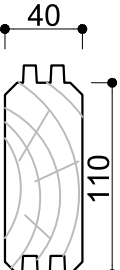

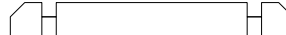

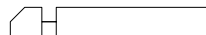



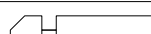




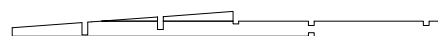
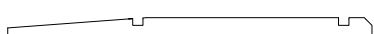

**40213**



→||←40mm

## SPECIFICATION

5,8 x 3,9 **40213**

| Dim.  | Skizze  | Pos. | Länge (mm) | Stck.   | Name   | Ref.   |
|---|---|------|------------|---|--|--------|
|    |    | ①    | 3000       | 14  | Fundamentbalken<br>Lambourdes<br>Foundation beam | 283039 |
|   |   | ②    | 2460       | 10  |  | 283131 |
|   |   | ③    | 720        | 4   |  | 283081 |
|   |   | ④    | 400        | 6   |  | 283084 |
|   |   | ④a   | 475        | 4   |  | 283132 |
|    |    | ⑤    | 5800       | 1   | Zurück Brett<br>Madrier arrière<br>Back board    | 400299 |
|   |    | ⑥    | 1490       | 1   | Front Brett<br>Madrier avant<br>Front board      | 400300 |
|   |    | ⑦    | 2700       | 1   | Front Brett<br>Madrier avant<br>Front board      | 400301 |
|  |   | ⑧    | 3900       | 1   | Seiten Brett<br>Madrier latéral<br>Side board    | 400304 |
|   |  | ⑧a   | 3900       | 1   | Seiten Brett<br>Madrier latéral<br>Side board    | 400311 |
|   |  | ⑨    | 3900       | 21  | Seiten Brett<br>Madrier latéral<br>Side board    | 400014 |
|   |  | ⑩    | 2530       | 18  | Front Brett<br>Madrier avant<br>Front board      | 400130 |
|   |  | ⑪    | 515        | 18  | Front Brett<br>Madrier avant<br>Front board      | 400131 |
|   |  | ⑫    | 5800       | 23  | Zurück Brett<br>Madrier arrière<br>Back board    | 400306 |
|   |  | ⑬    | 2980       | 16  | Seiten Brett<br>Madrier latéral<br>Side board    | 400255 |
|   |  | ⑭    | 1495       | 17  | Seiten Brett<br>Madrier latéral<br>Side board    | 400308 |
|   |  | ⑮    | 570        | 17  | Front Brett<br>Madrier avant<br>Front board      | 400309 |
|   |  | ⑯    | 285        | 33  | Front Brett<br>Madrier avant<br>Front board      | 400039 |
|   |  | ⑰    | 570        | 17  | Seiten Brett<br>Madrier latéral<br>Side board    | 400310 |
|  | ⑱   | 4300 | 3          | Seiten Brett<br>Madrier latéral<br>Side board | 402037   |        |
|  | ⑲   | 2993 | 3          | Seiten Brett<br>Madrier latéral<br>Side board | 402038   |        |
|  | ⑳   | 1416 | 3          | Seiten Brett<br>Madrier latéral<br>Side board | 402039   |        |
|  | ㉑   | 877  | 3          | Seiten Brett<br>Madrier latéral<br>Side board | 402040   |        |

→||←40mm

## SPECIFICATION

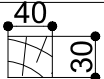
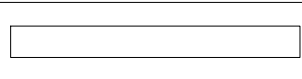
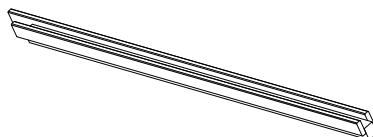
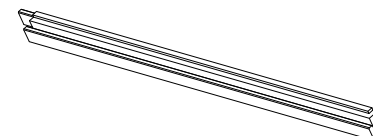
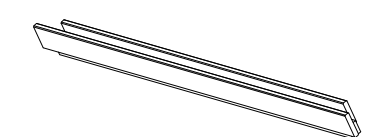
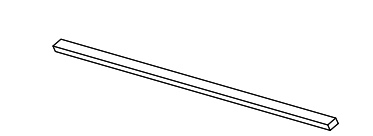
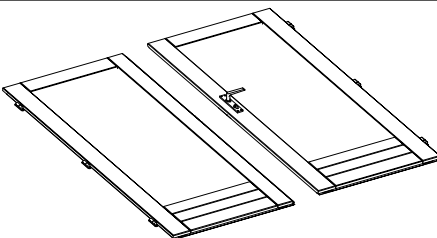
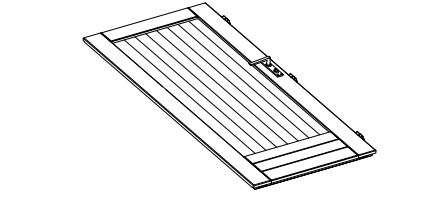
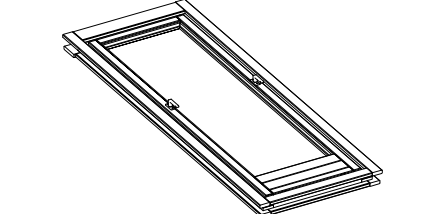
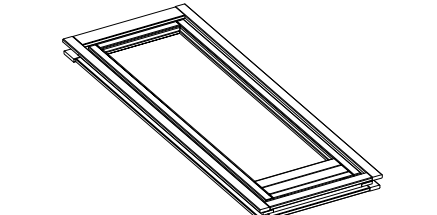
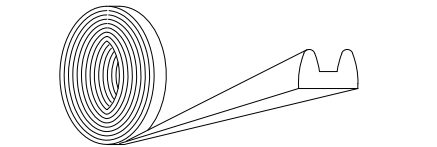
5,8 x 3,9 **40213**

|  |  |     |      |            |   |        |
|--|--|-----|------|------------|---|--------|
|  |  | 22  | 6000 | 2          | Front/Zurück Brett<br>Madrier avant/arrière<br>Front/Back board | 401042 |
|  |  | 23  | 6000 | 1          | Front Brett<br>Madrier avant<br>Front board                     | 401044 |
|  |  | 24  | 6000 | 6          | Sparren<br>Panne faitière<br>Rafter                             | 404057 |
|  |  | 25  | 90   | 3          |   | 404054 |
|  |  | 26  | 4815 | 69<br>(55) | Dach Bretter<br>Madrier de toit<br>Roof board                   | 284526 |
|  |  | 27  | 3630 | 63(51)     | Boden Bretter<br>Plancher bois<br>Floor board                   | 283514 |
|  |  | 29a | 4860 | 1+1        | Wind Brett<br>Planche de rive<br>Wind board                     | 285050 |
|  |  | 29b |      |            |   | 285051 |
|  |  | 30a | 3019 | 1+1        |   | 285059 |
|  |  | 30b |      |            |   | 285060 |
|  |  | 31  | 2406 | 4          | Wind Brett<br>Planche de rive<br>Wind board                     | 286516 |
|  |  | 32  | 3019 | 2          |   | 286521 |
|  |  | 33a | 2140 | 1          | Wind Brett<br>Planche de rive<br>Wind board                     | 286045 |
|  |  | 33  | 1680 | 2          |   | 286046 |
|  |  | 34  | 3000 | 2          | Wind Brett<br>Planche de rive<br>Wind board                     | 286038 |
|  |  | 35  | 3640 | 6          | Bodenleiste<br>Plancher latte<br>Baseboard                      | 283274 |

→||←40mm

## SPECIFICATION

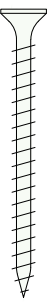
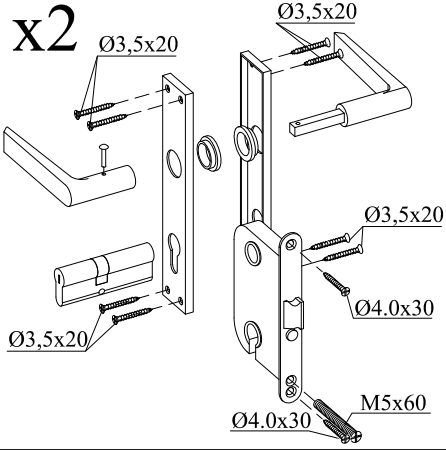
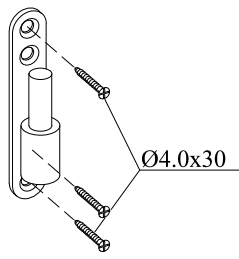

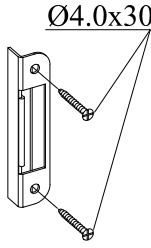
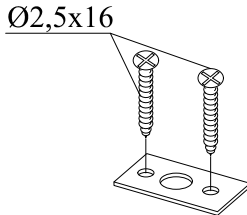
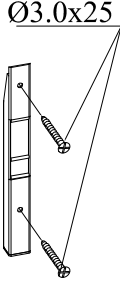
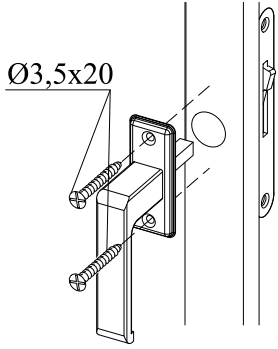
5,8 x 3,9 **40213**

|   |   |              |     |   |           |        |
|---|---|--------------|-----|---|-----------|--------|
|    |  | <b>36</b>    | 855 | 1   |           | 287131 |
|    | <b>TR1</b>  | 1973         | 1   | Türrahmen links<br>Cadre de porte gauche<br>Door frame left   |           | 409224 |
|   | <b>TR5</b>  | 1973         | 1   |   |           | 409228 |
|    | <b>TR2</b>  | 1973         | 1   | Türrahmen rechts<br>Cadre de porte droite<br>Door frame right |           | 409225 |
|   | <b>TR6</b>  | 1973         | 1   |   |           | 409225 |
|    | <b>TR3</b>  | 1700         | 1   | Über Türrahmen<br>Montant supérieur<br>Door frame top         |           | 409226 |
|   | <b>TR7</b>  | 945          | 1   |   |           | 409229 |
|    | <b>TR4</b>  | 1500         | 1   | Türstufe<br>Latte de finition bas<br>Door frame bottom        |           | 409227 |
|   | <b>TR8</b>  | 745          | 1   |   |           | 409230 |
|   | <b>T1</b>   | 1850x<br>765 | 1   | Tür<br>Porte<br>Doors   | 289020 T1 |        |
|   | <b>T2</b>   | 1850x<br>765 | 1   |   | 289020 T2 |        |
|  | <b>T3</b>   | 1850x<br>765 | 1   | Tür<br>Porte<br>Doors   | 289021 T3 |        |
|   |   |              |     |   |           |        |
|  | <b>F1</b>   | 1955x<br>700 | 2   | Fenster<br>Fenêtre<br>Window                                  | 409111    |        |
|  | <b>F2</b>   | 1955x<br>700 | 1   | Fenster<br>Fenêtre<br>Window                                  | 409112    |        |
|  |   | 21.5m        | 1   | Dichtgummi<br>étanchéité en caoutchouc<br>sealing rubber      |           |        |

→||←40mm

# SPECIFICATION

5,8 x 3,9 **40213**

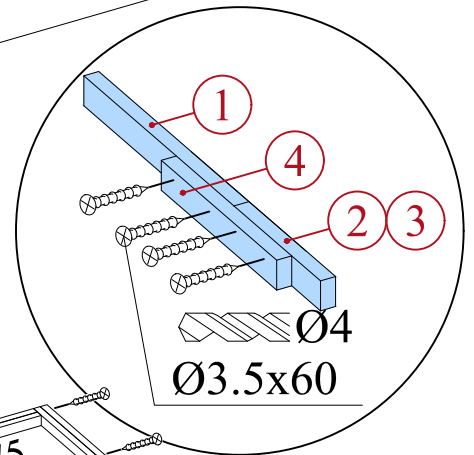
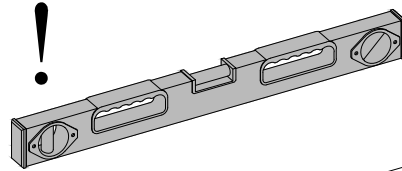
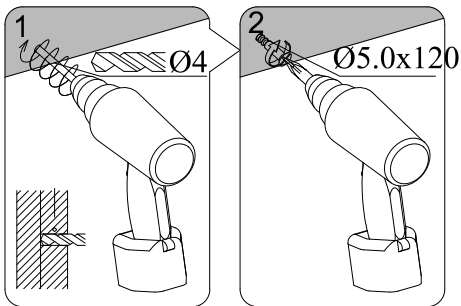
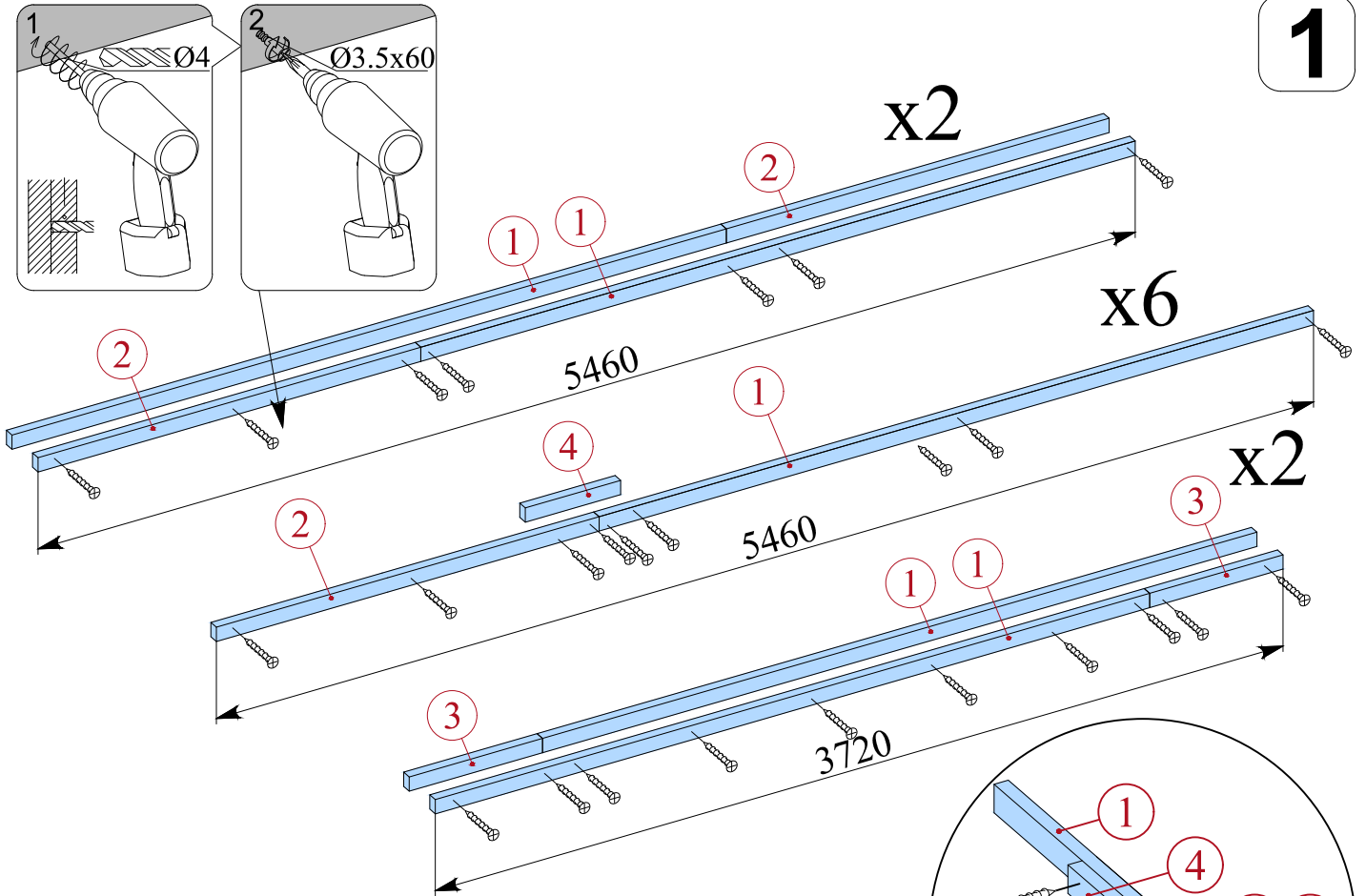
|   | Pos. | Dim        | Stck. | x2  |       | Skizze  | Stck. |
|---|------|------------|-------|---|-------|---|-------|
|  | A    | Ø4.5 x 100 | 14    |   |       |    | 9     |
|   | B    | Ø3.5 x 60  | 70    |   |       |   |       |
|   | C    | Ø3.5 x 40  | 140   |   |       |   |       |
|   | D    | Ø5.0 x 120 | 24    |   |       |   |       |
|   |      |            |       | Skizze  | Stck. | Skizze  | Stck. |
|  | C    | Ø2.0 x 40  | 630   |   |       |   | 2     |
|   | D    | Ø2.0 x 50  | 550   |   |       |   |       |
|   |      |            |       | Skizze  | Stck. | Skizze  | Stck. |
|   |      |            |       |  |       |  | 4     |
|   |      |            |       |   |       |   |       |

→||←40mm

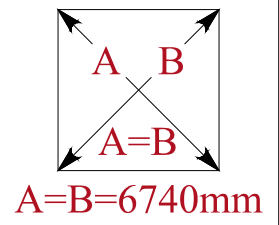
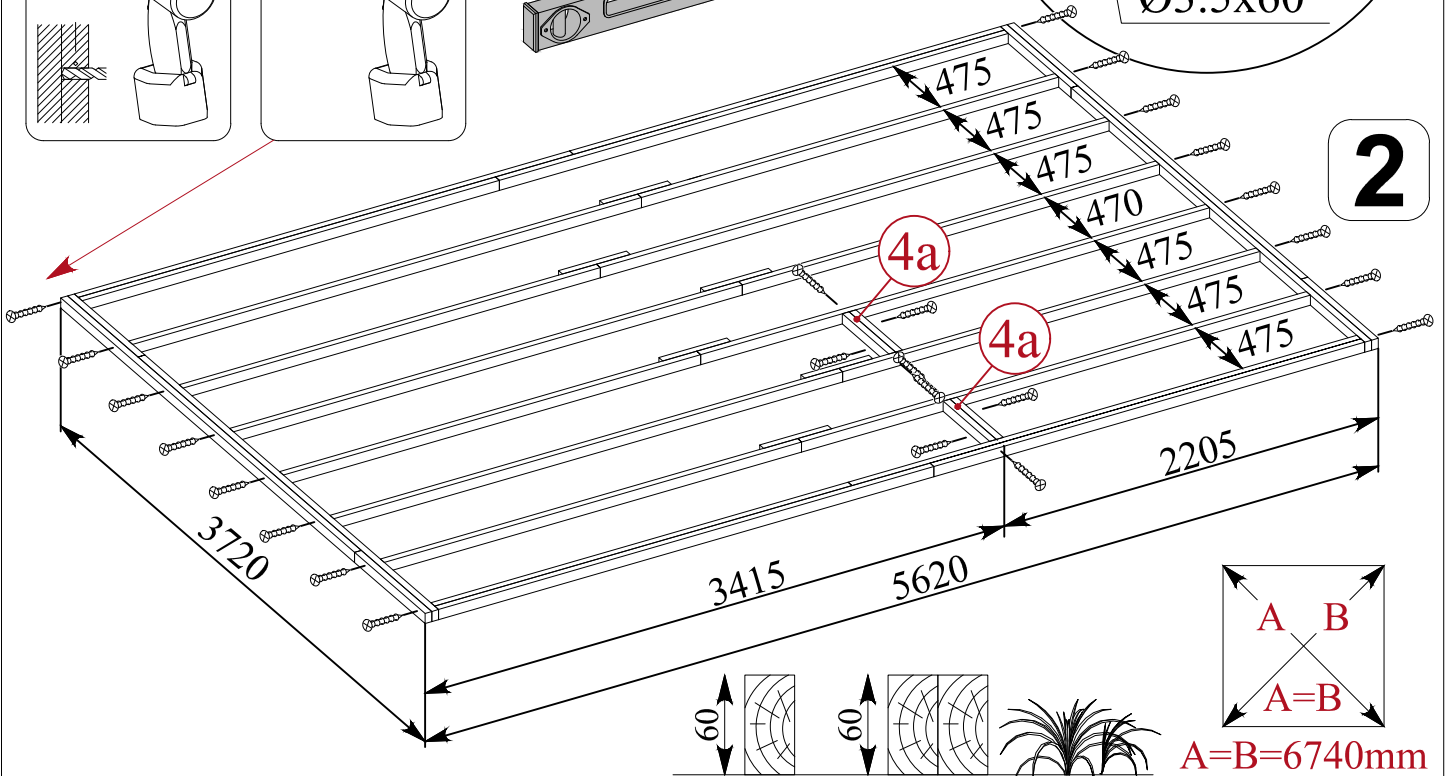
5,8 x 3,9

**40213**

**1**



**2**

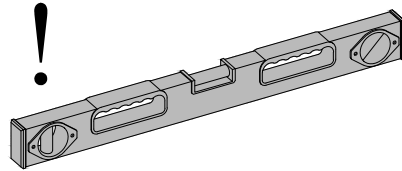
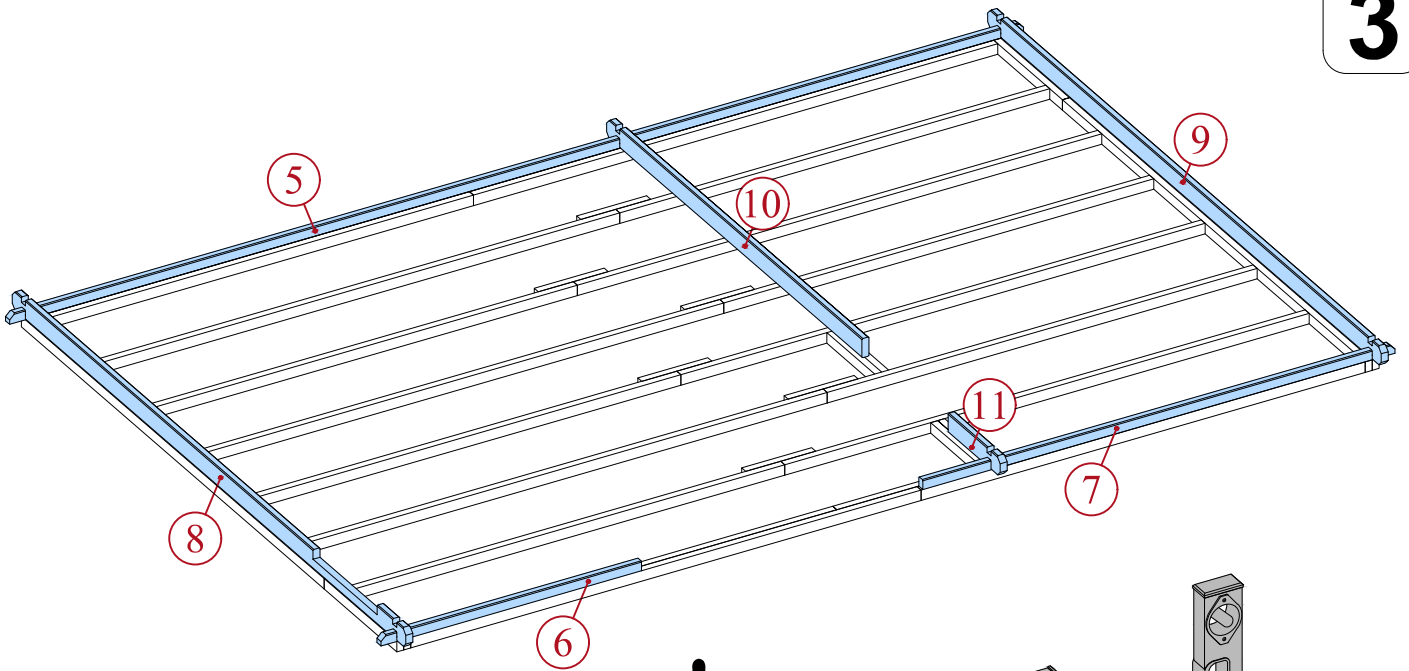


→||←40mm

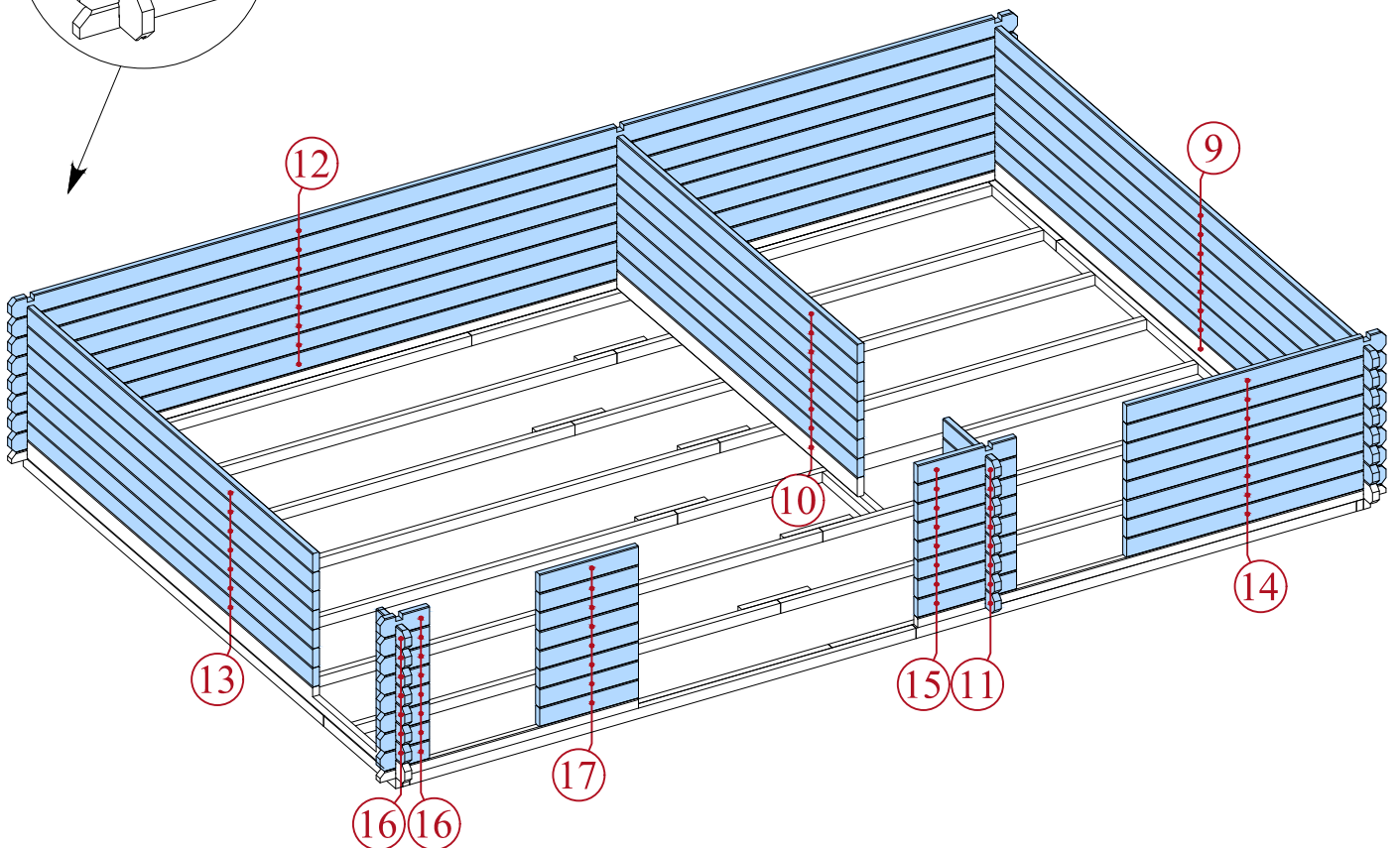
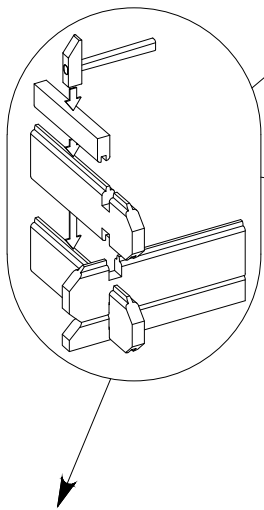
5,8 x 3,9

**40213**

**3**



**4**

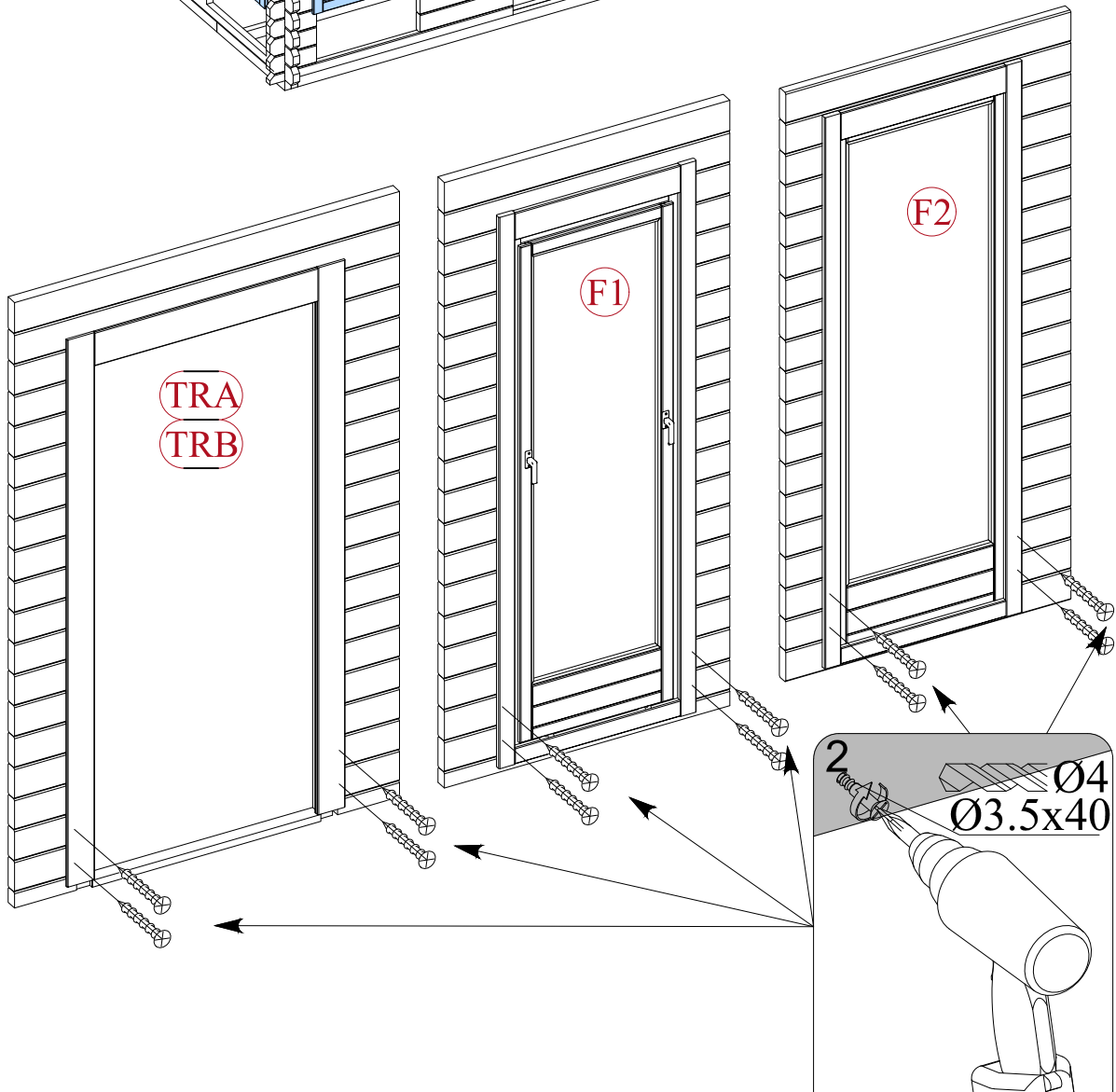
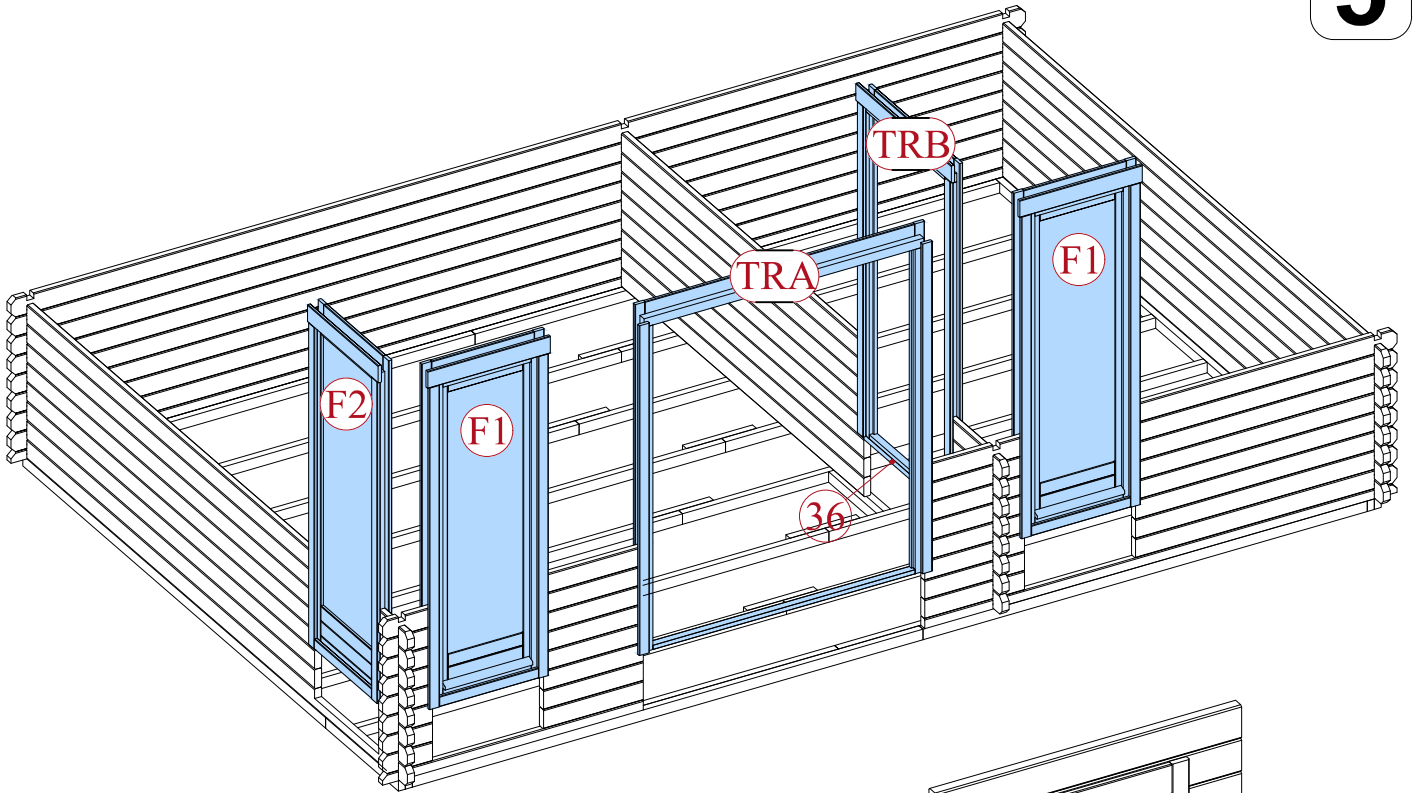


→||←40mm

5,8 x 3,9

40213

5

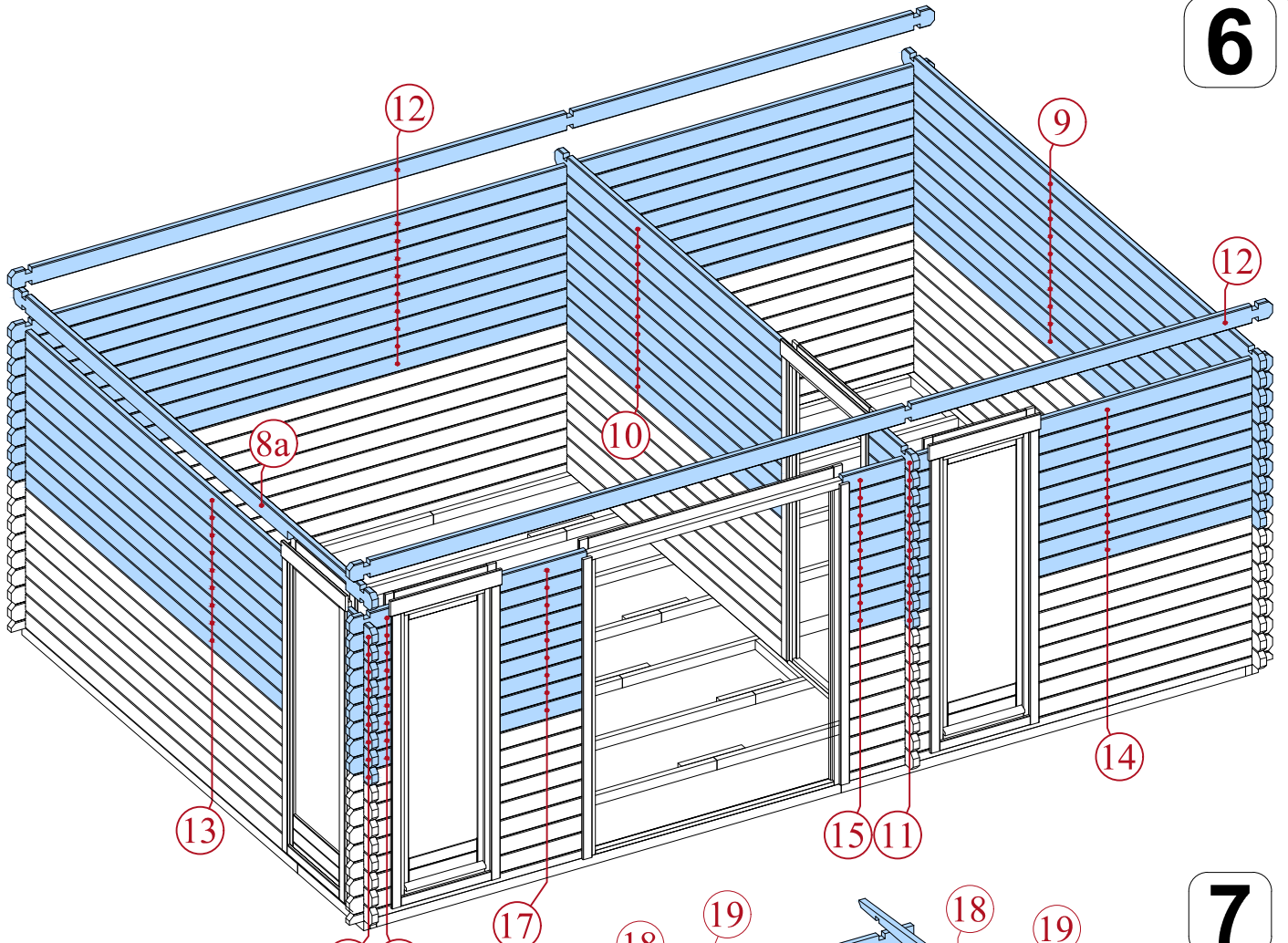


→||←40mm

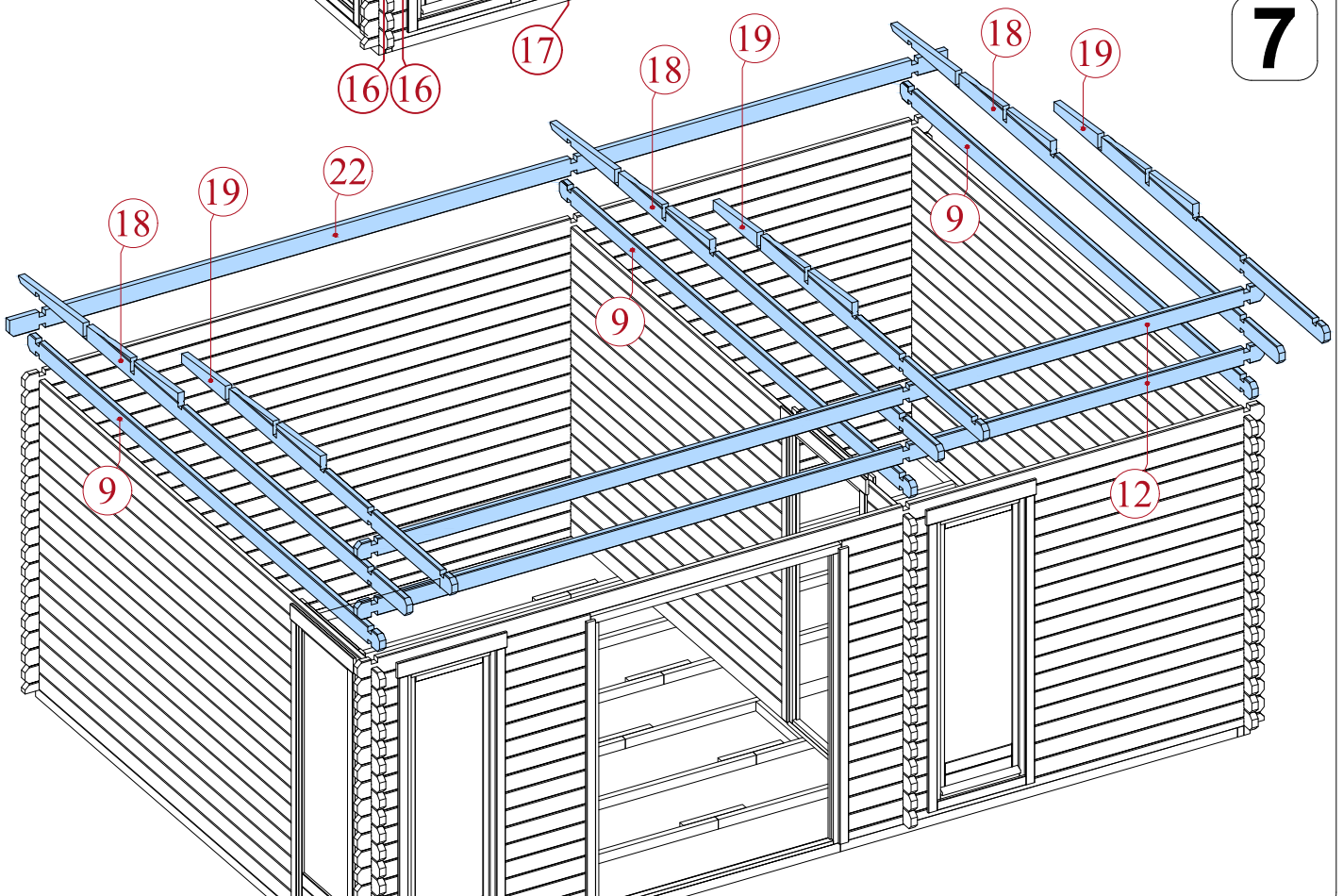
5,8 x 3,9

40213

6



7

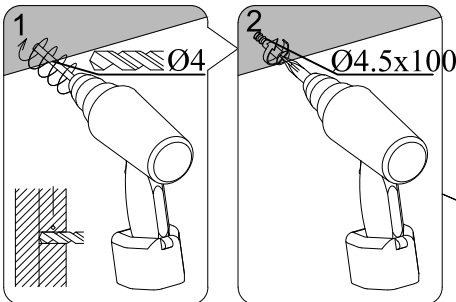
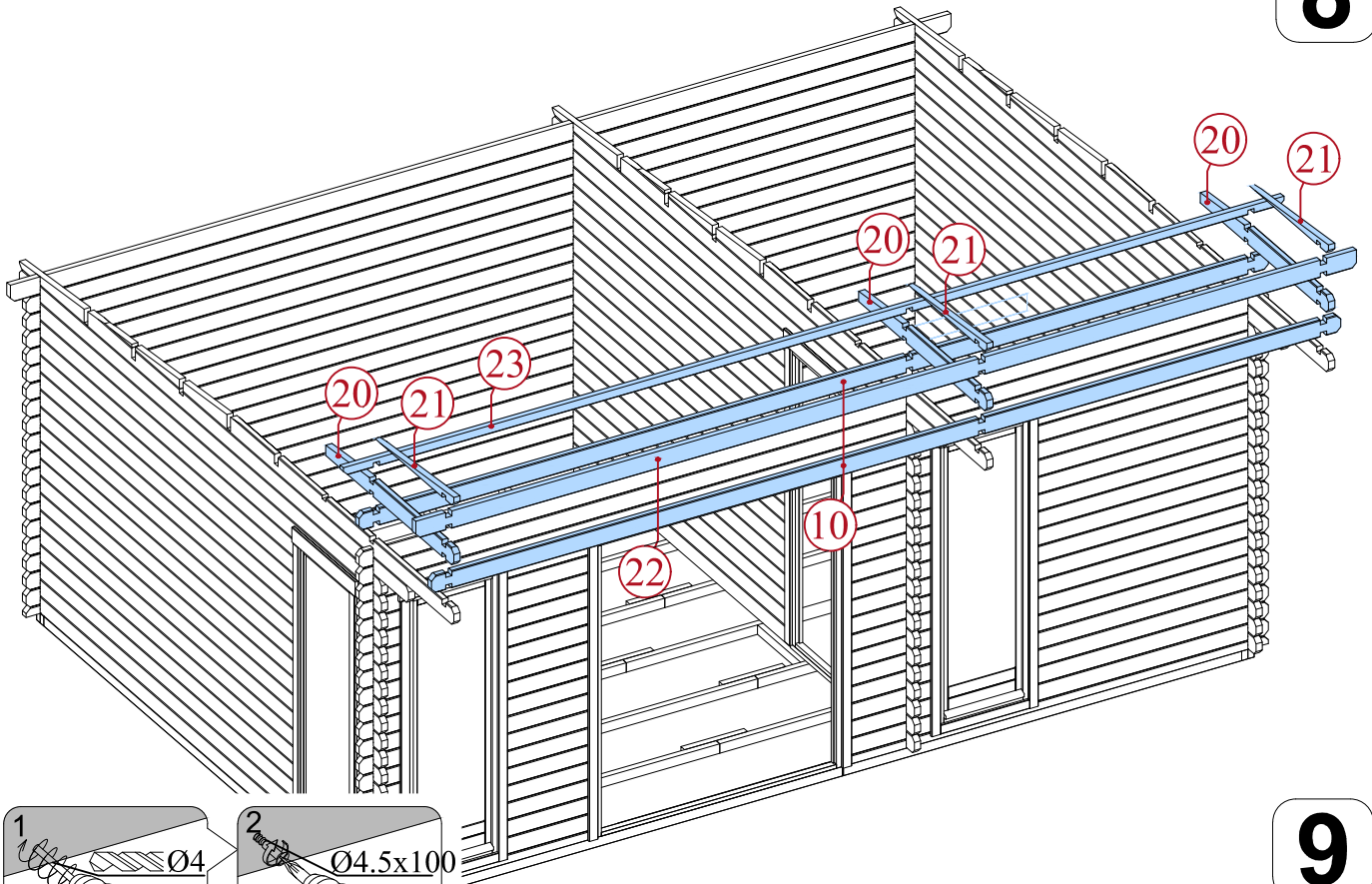


→||←40mm

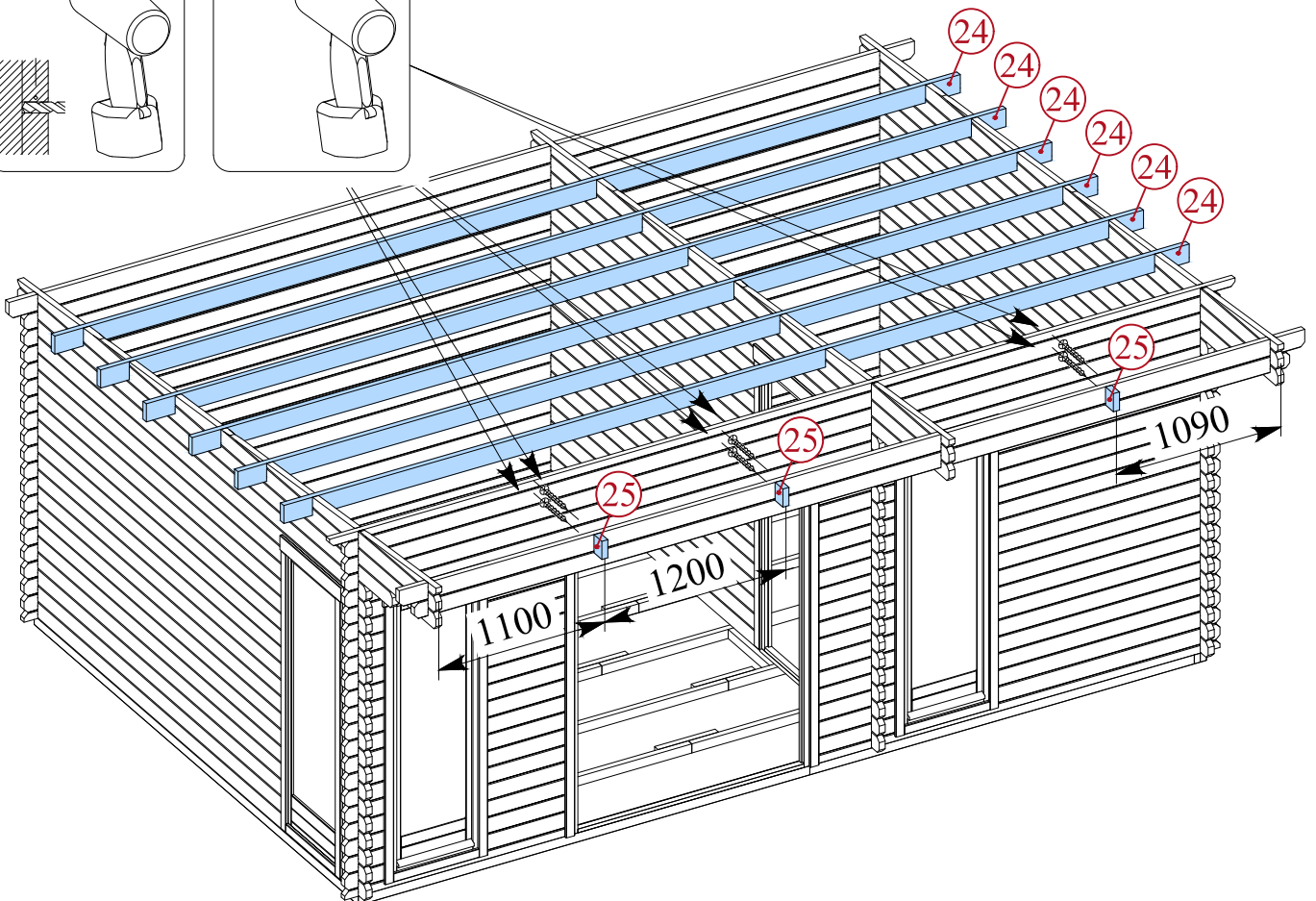
5,8 x 3,9

40213

8



9



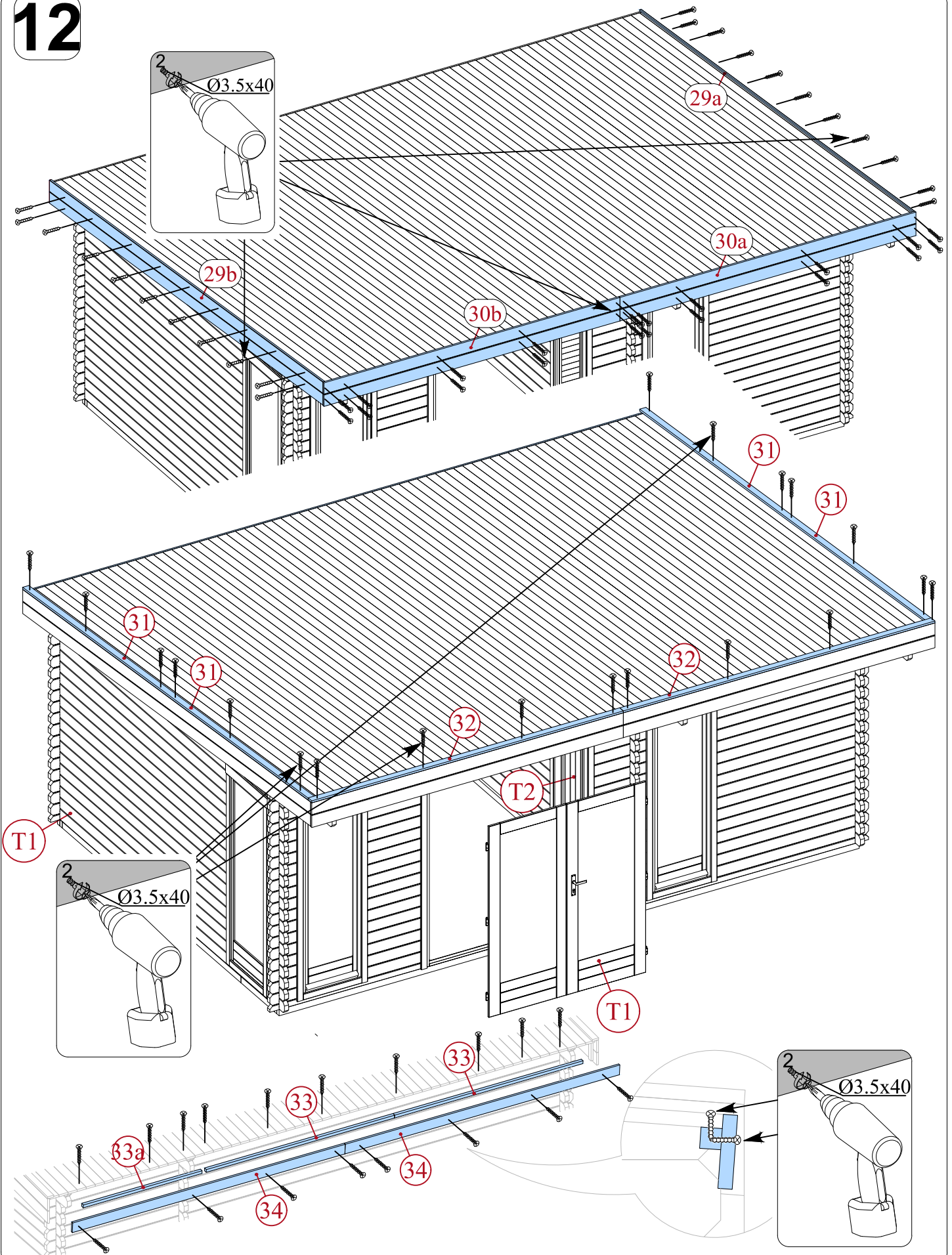


→||←40mm

5,8 x 3,9

**40213**

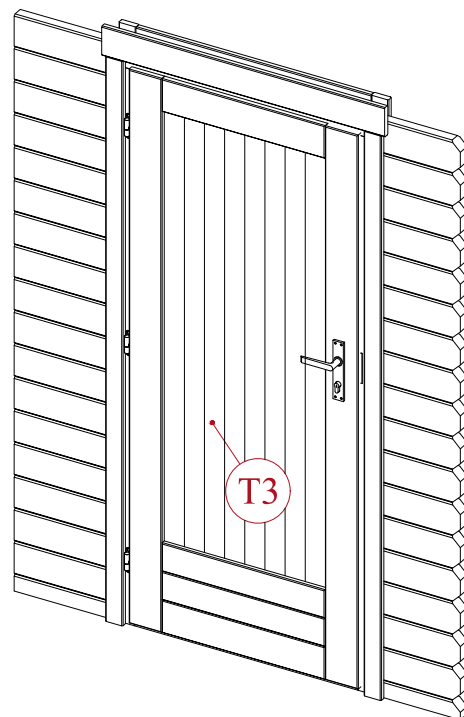
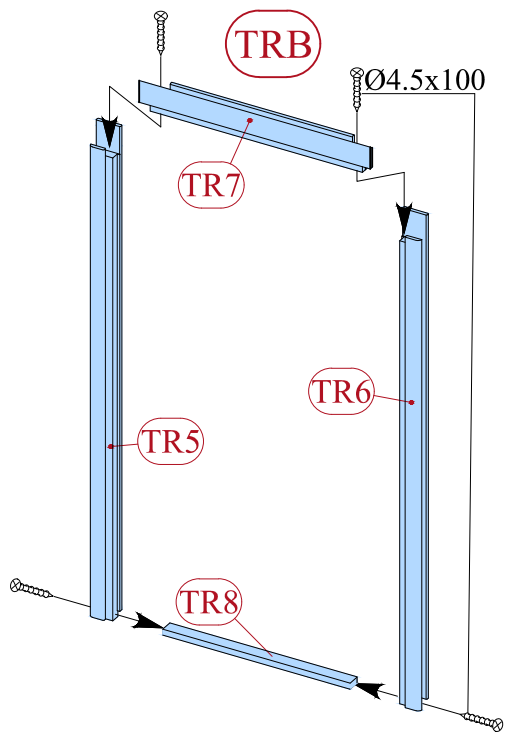
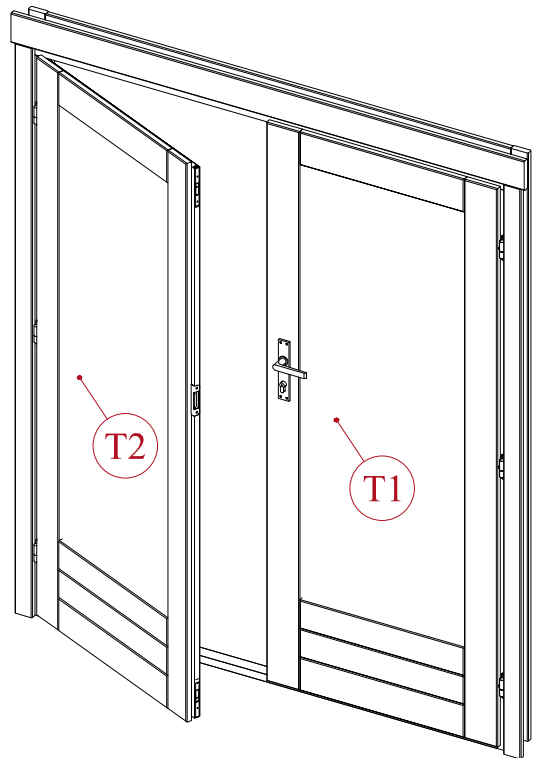
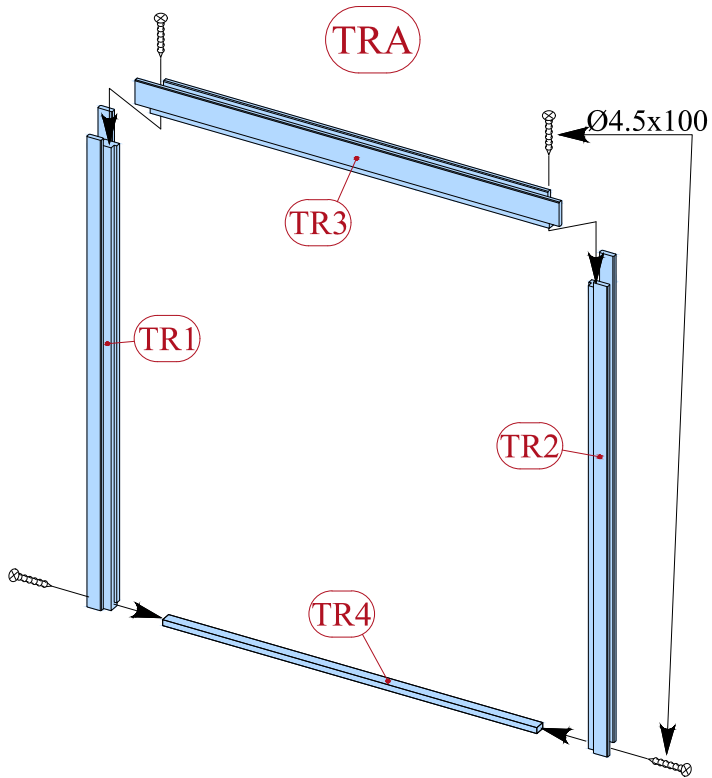
**12**



→||←40mm

5,8 x 3,9

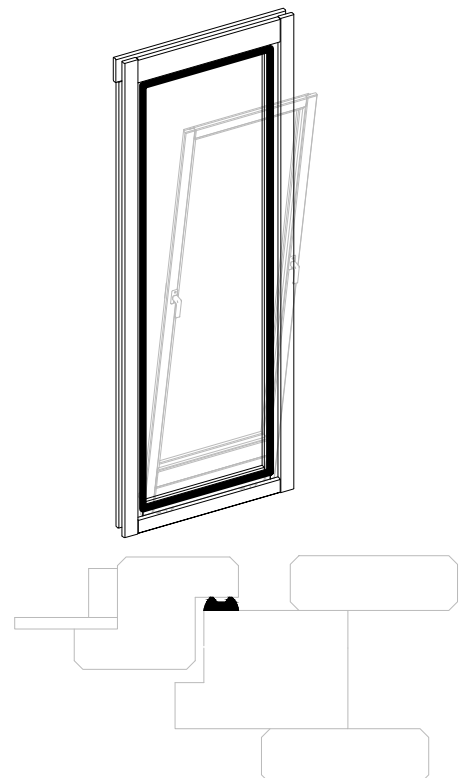
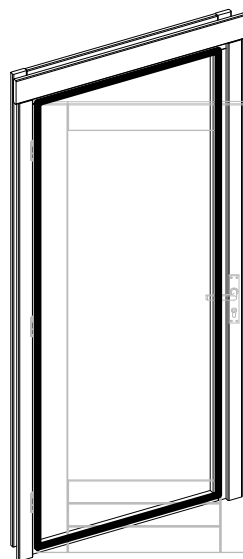
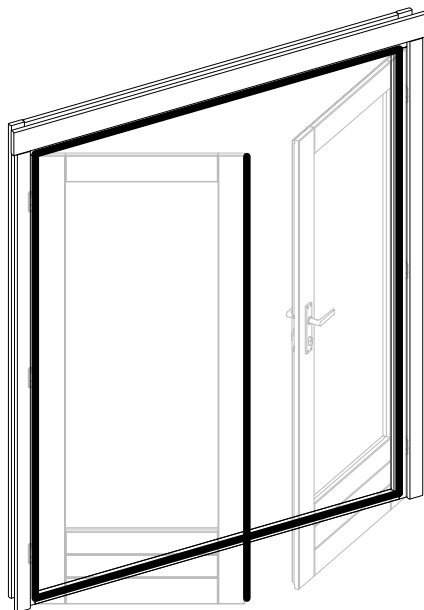
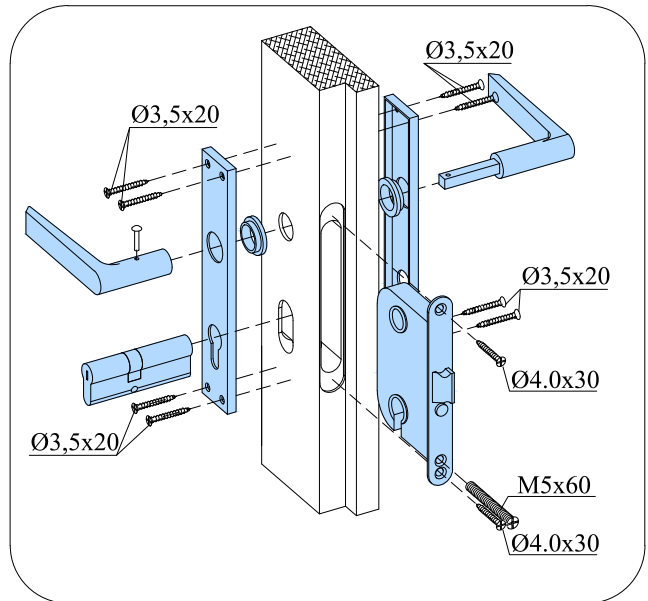
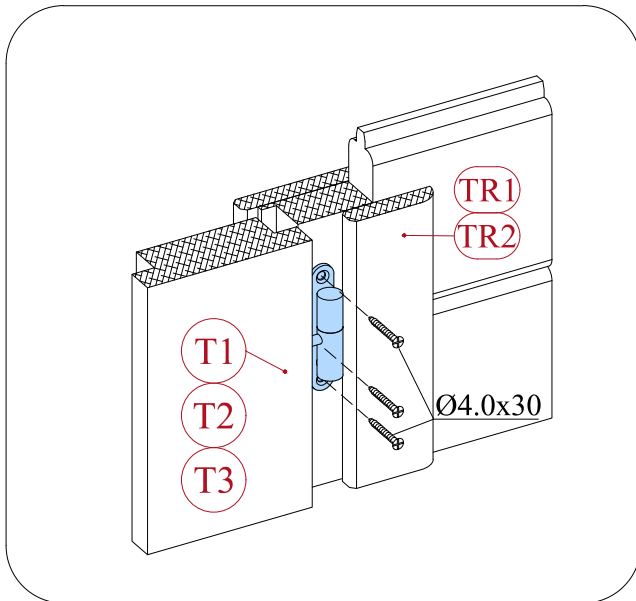
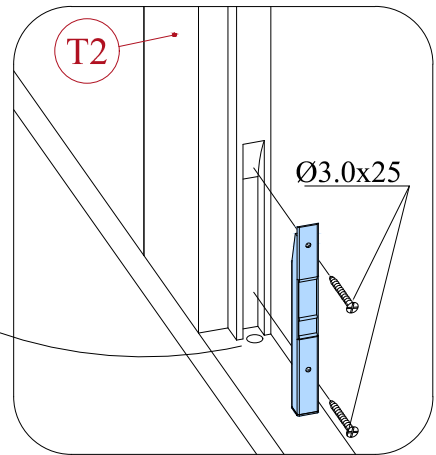
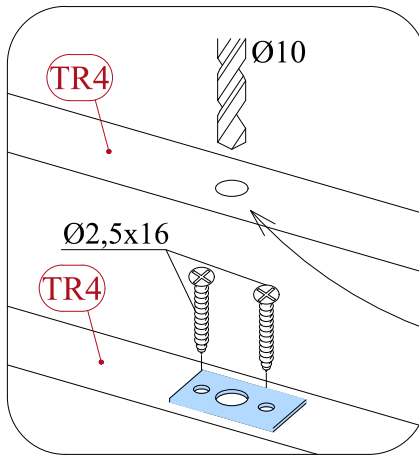
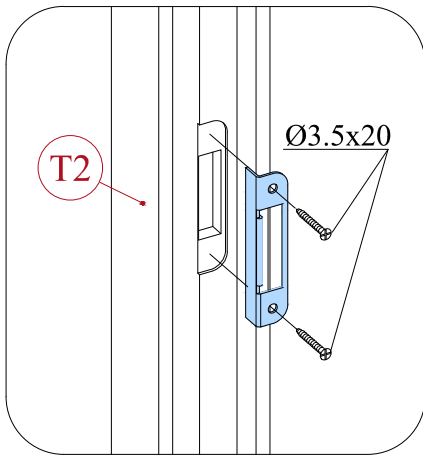
**40213**



→||←40mm

5,8 x 3,9

40213



Dichtgummi  
étanchéité en caoutchouc  
sealing rubber