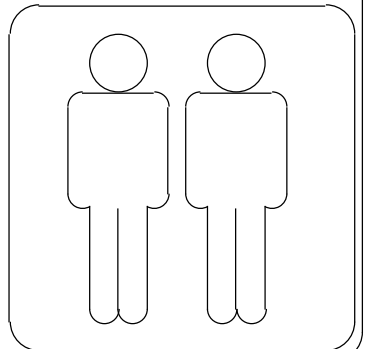
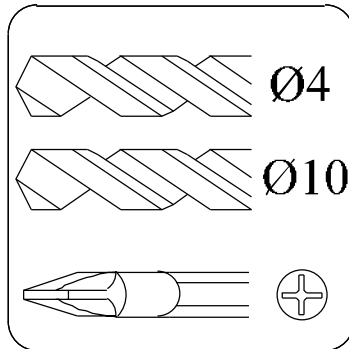
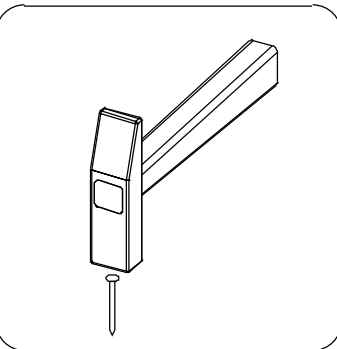
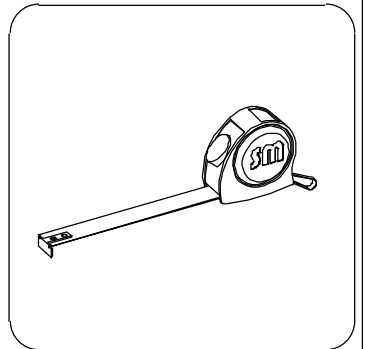
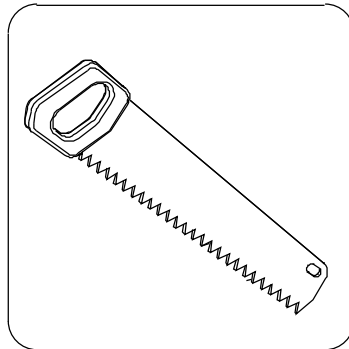
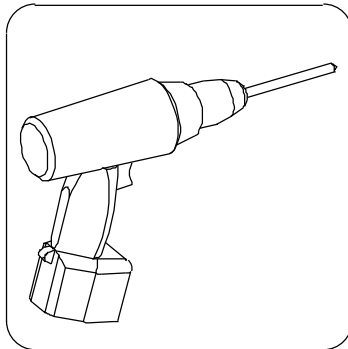
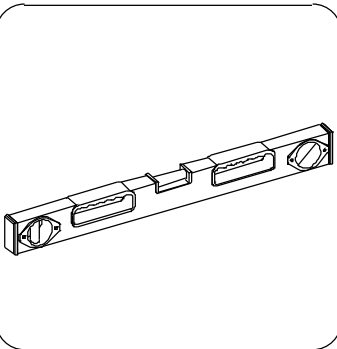
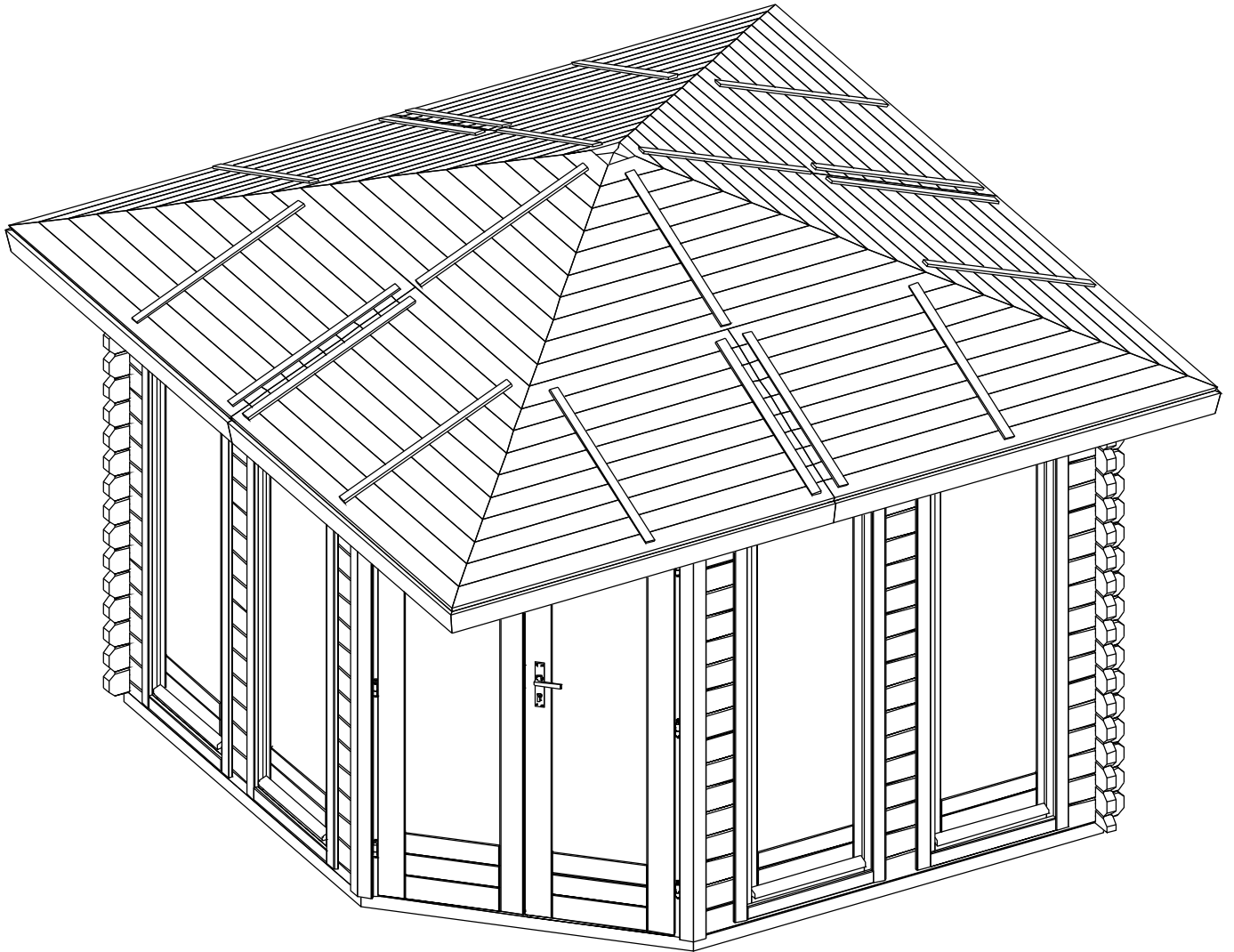


→||←40mm

2,98 x 2,98

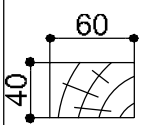
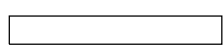
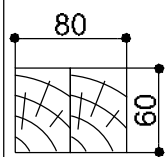
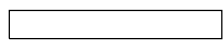
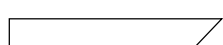

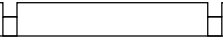
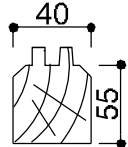
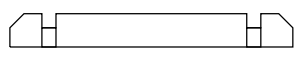
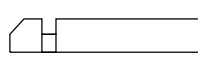
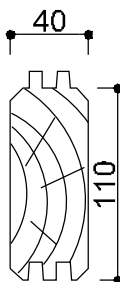

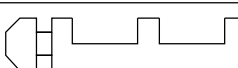
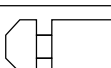
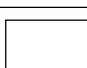


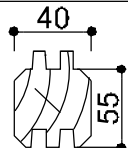
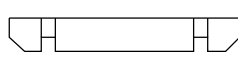
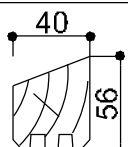
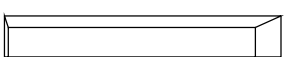
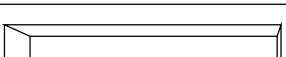
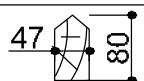
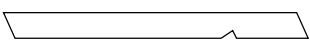
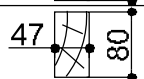
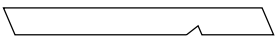

**40034**



→||←40mm

## SPECIFICATION 2,98 x 2,98

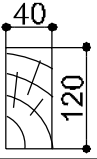

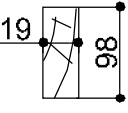

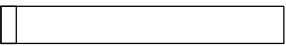
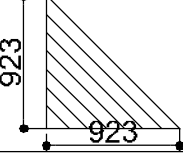
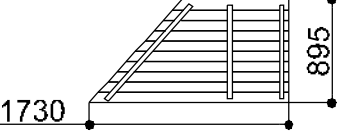
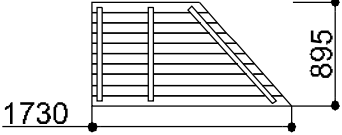
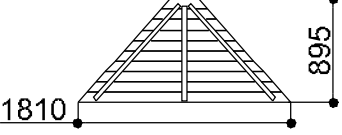
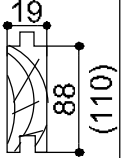

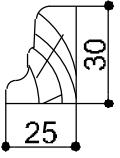
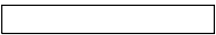
**40034**

Dim.	Skizze	Pos.	Länge (mm)	Stck.	Name	Ref.
		①	2640	4	Fundamentbalken Lambourdes Foundation beam	283085
		②	2640	1		283088
		③	2720	1		283089
		④	1848	2		283090
		⑤	1346	1		283091
		⑥	2980	1	Zurück Brett Madrier arrière Back board	400135
		⑦	1930	1	Front Brett Madrier avant Front board	400270
		⑧	2980	38	Seiten Brett Madrier latéral Side board	400121
		⑨	1930	1	Front Brett Madrier avant Front board	400271
		⑩	285	33	Front Brett Madrier avant Front board	400039
		⑪	190	66	Front/Seiten Brett Madrier latéral/arrière Front/Side board	400272
		⑫	1984	1	Front Brett Madrier avant Front board	400273
		⑬	2980	1	Front Brett Madrier avant Front board	400274
		⑭	2980	2	Seiten Brett Madrier latéral Side board	400136
		⑮	1400	4	Top Brett Madrier haut Top board	401022
		⑯	1400	4	Top Brett Madrier haut Top board	401024
		⑰	2460	4	Top Brett Madrier haut Top board	404068
		⑱	1790	4	Top Brett Madrier haut Top board	404069
		⑲		1	Verbindungen Composé Rafter join	286991

→ || ← 40mm

## SPECIFICATION 2,98 x 2,98

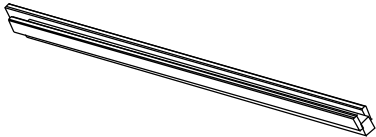
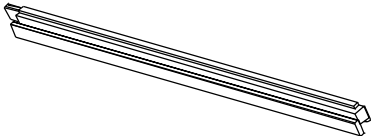
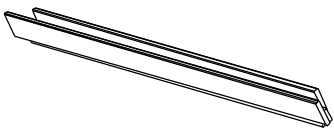
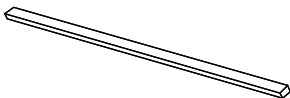
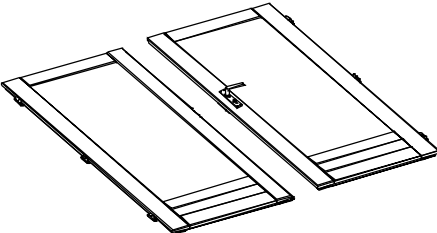
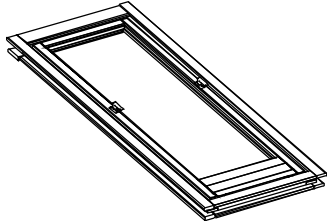
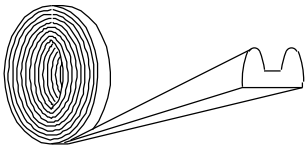
**40034**

Dim.	Skizze	Pos.	Länge (mm)	Stck.	Name	Ref.
		20	1305	1	Front Brett Madrier avant Front board	400275
		21	1800	4	Wind Brett Planche de rive Wind board	285023
		22	1800	4	Wind Brett Planche de rive Wind board	285022
		23	923x923	1	Platte Panneau Panel	192006
		24	1730 x895	4	Dachplatte Panneau de toit Roof panel	284608
		25	1730 x895	4	Dachplatte Panneau de toit Roof panel	284609
		26	1810 x895	4	Dachplatte Panneau de toit Roof panel	284607
		27	2720	31 (25)	Boden Bretter Plancher bois Floor board	283544
		28	2720	2		283254
		29	450	2		283289

→||←40mm

## SPECIFICATION 2,98 x 2,98

**40034**

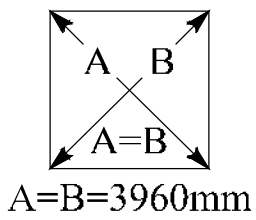
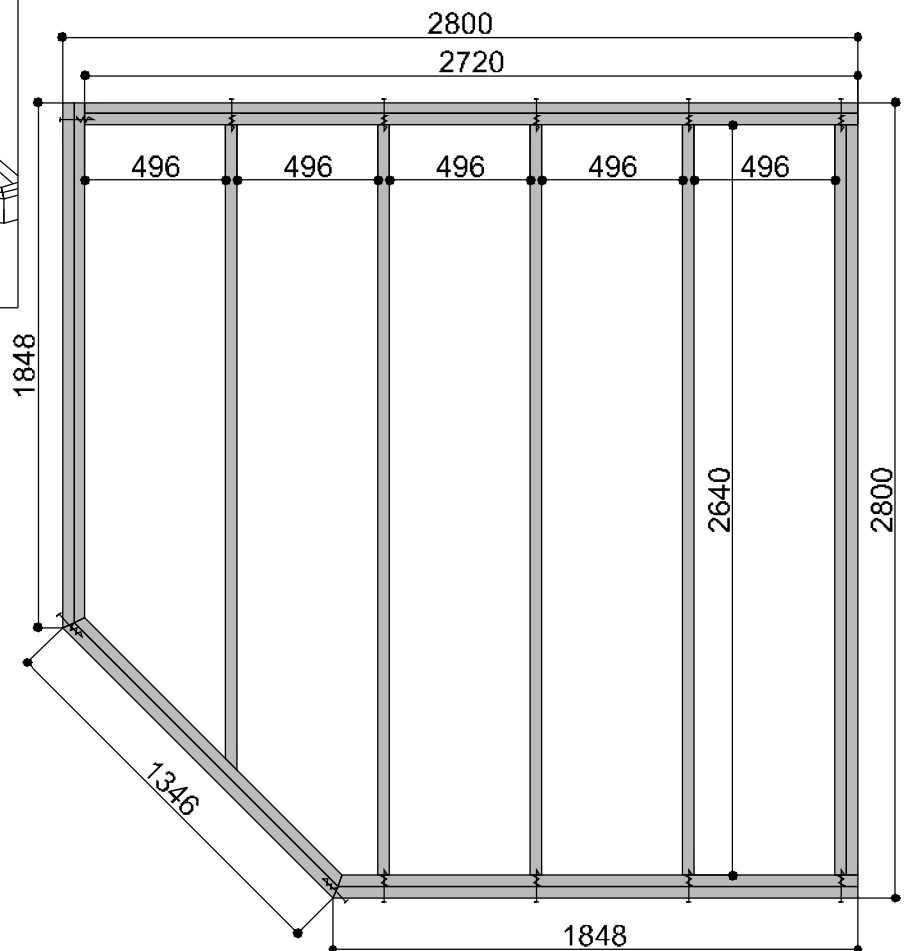
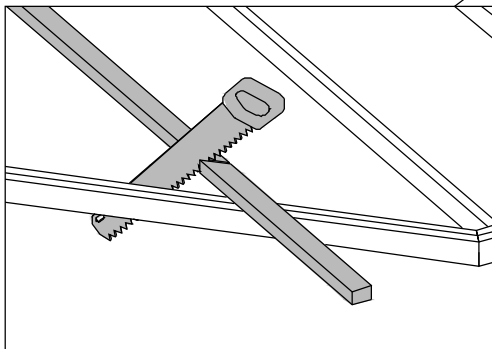
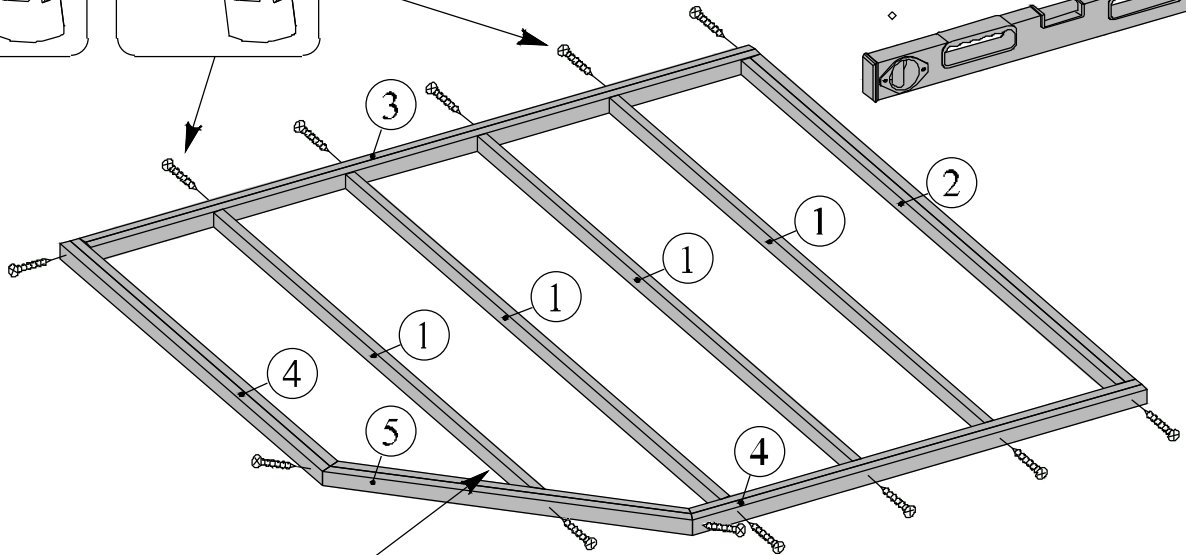
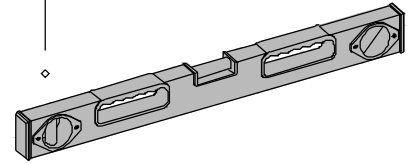
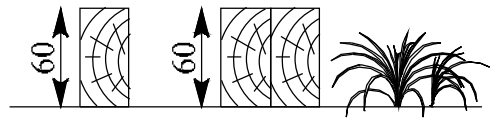
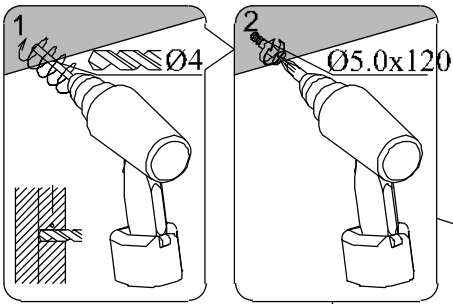
	TR1	1973	1	Türrahmen links Cadre de porte gauche Door frame left	409231
	TR2	1973	1	Türrahmen rechts Cadre de porte droite Door frame right	409232
	TR3	1280	1	Über Türrahmen Montant supérieur Door frame top	409233
	TR4	1180	1	Türstufe Latte de finition bas Door frame bottom	409234
	T1	1850x 605	1	Tür Porte Doors	289022 T1
	T2	1850x 605	1		289022 T2
	F1	1955x 700	4	Fenster Fenêtre Window	409111
		25m	1	Dichtgummi étanchéité en caoutchouc sealing rubber	

→||←40mm

2,98 x 2,98

**40034**

**1**

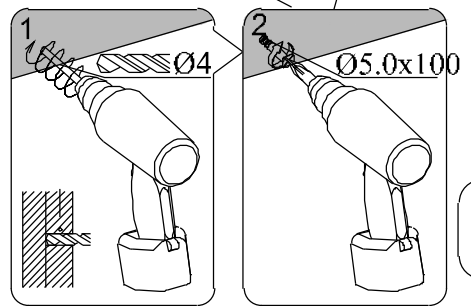
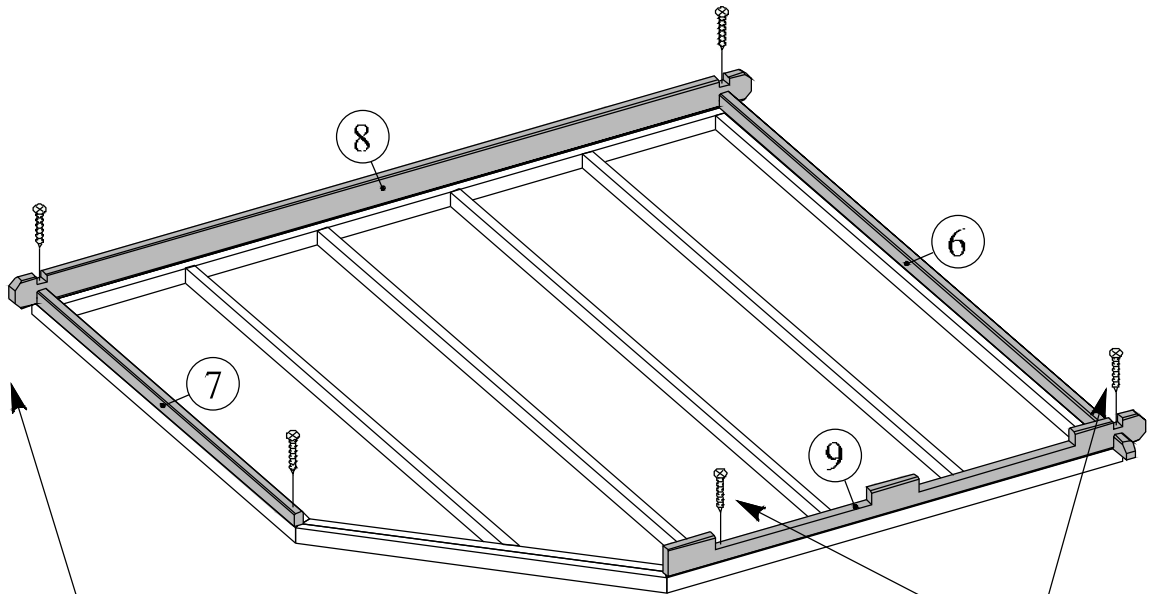


→||←40mm

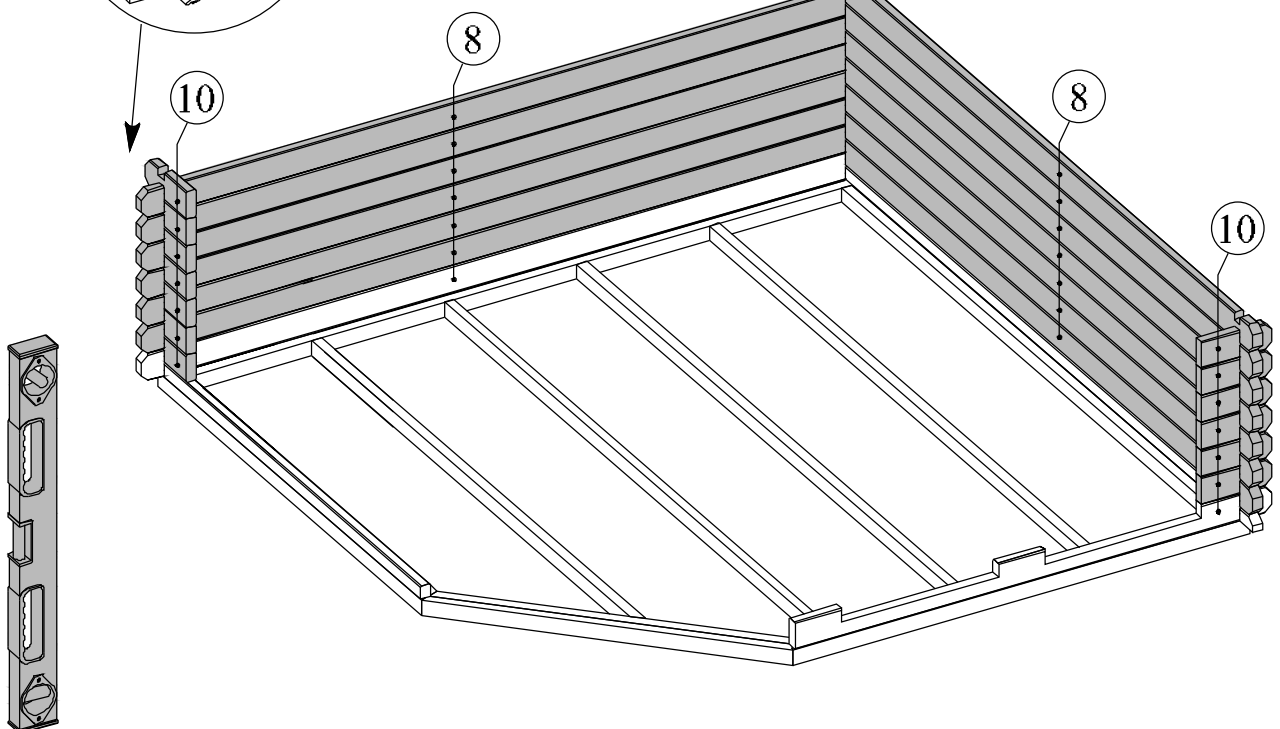
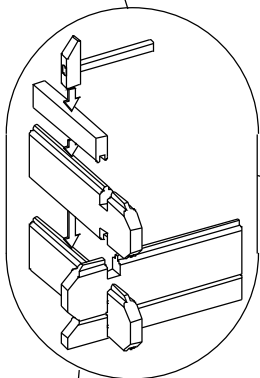
2,98 x 2,98

40034

2



3

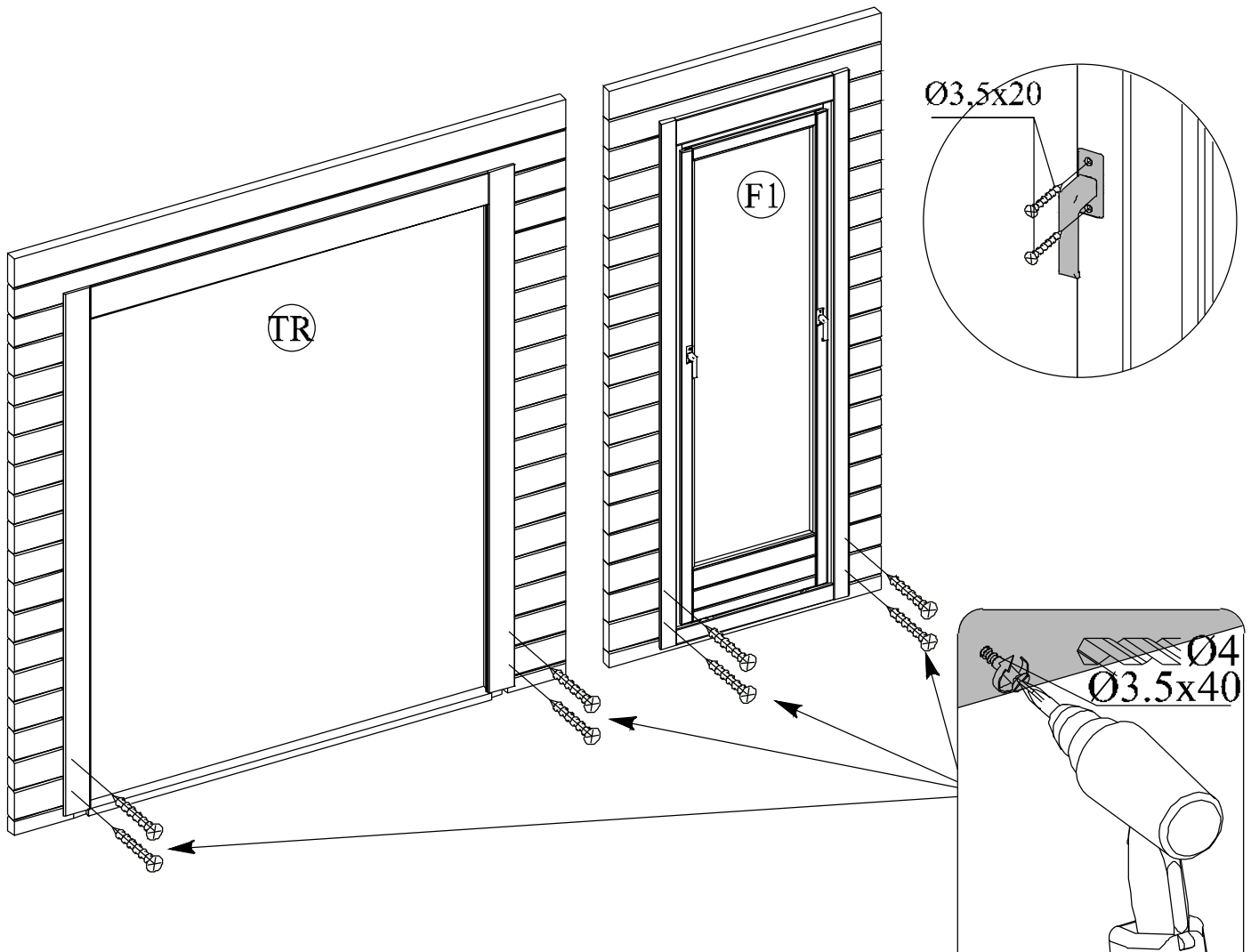
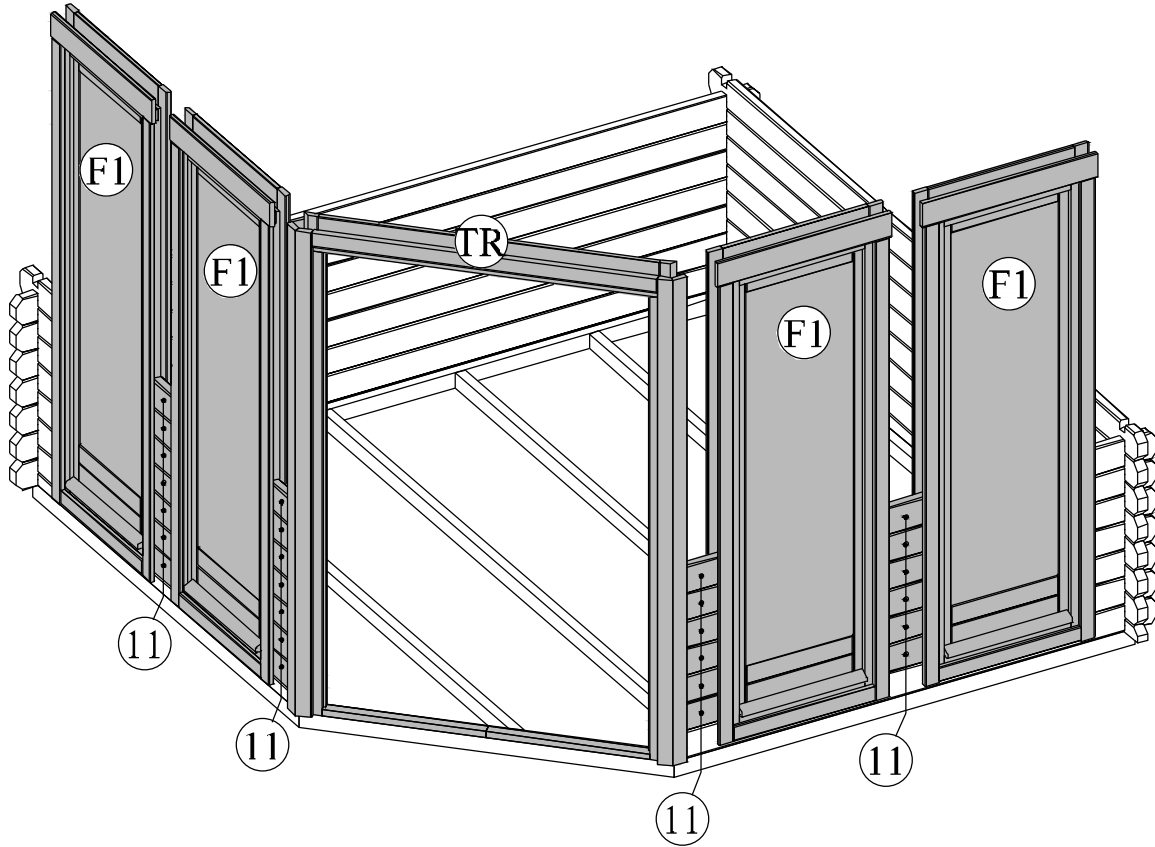


→||←40mm

2,98 x 2,98

40034

4

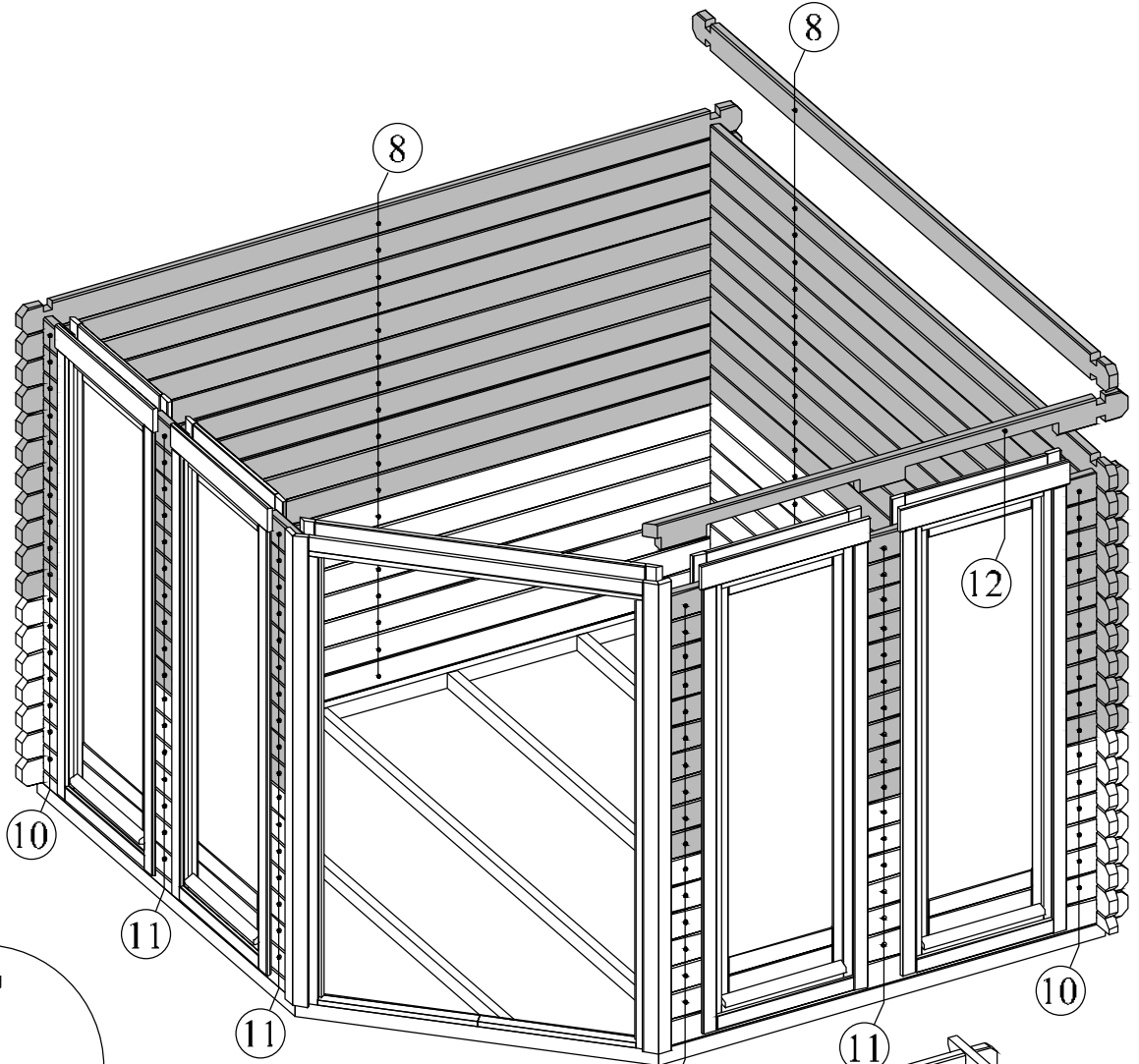


→||←40mm

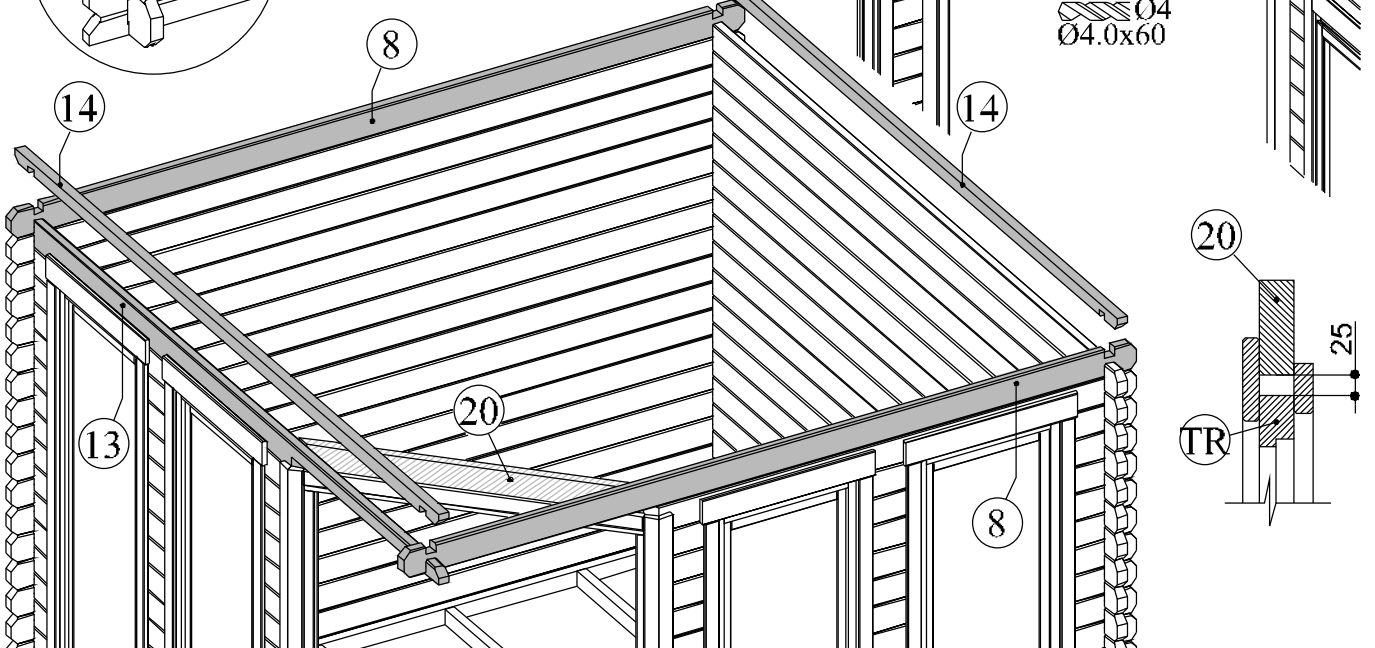
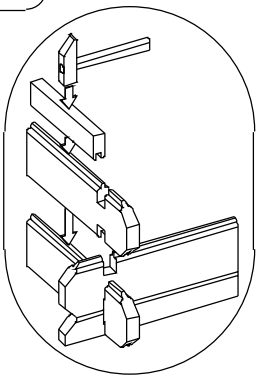
2,98 x 2,98

**40034**

**5**



**6**

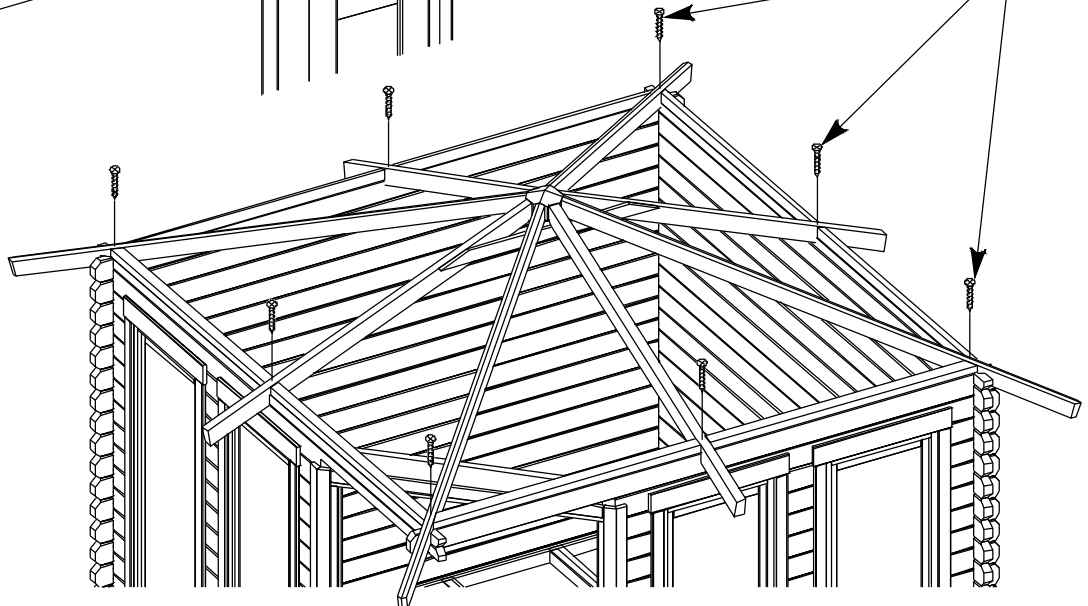
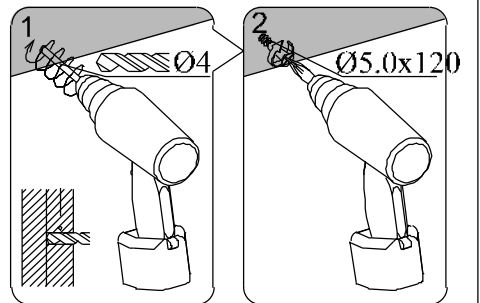
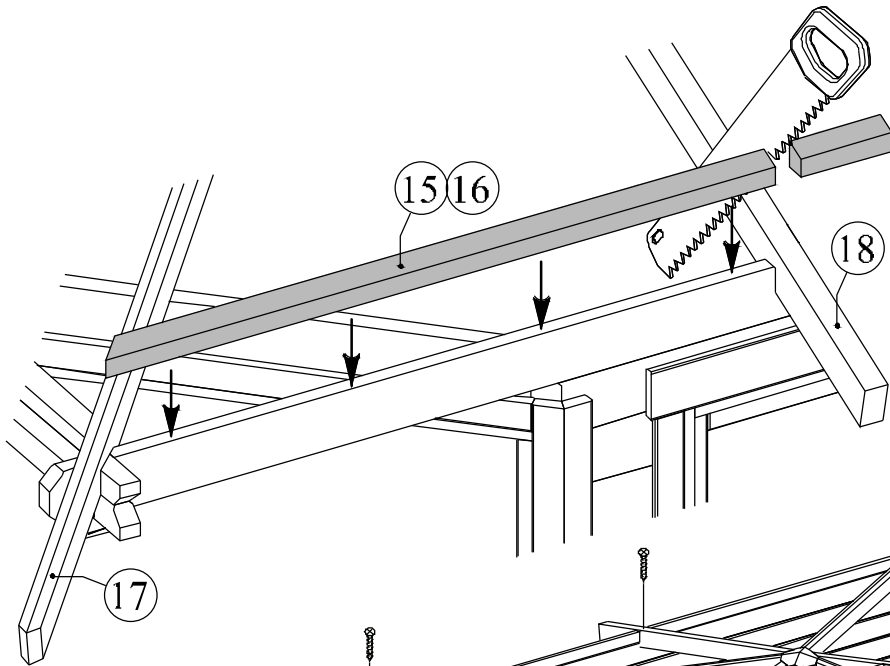
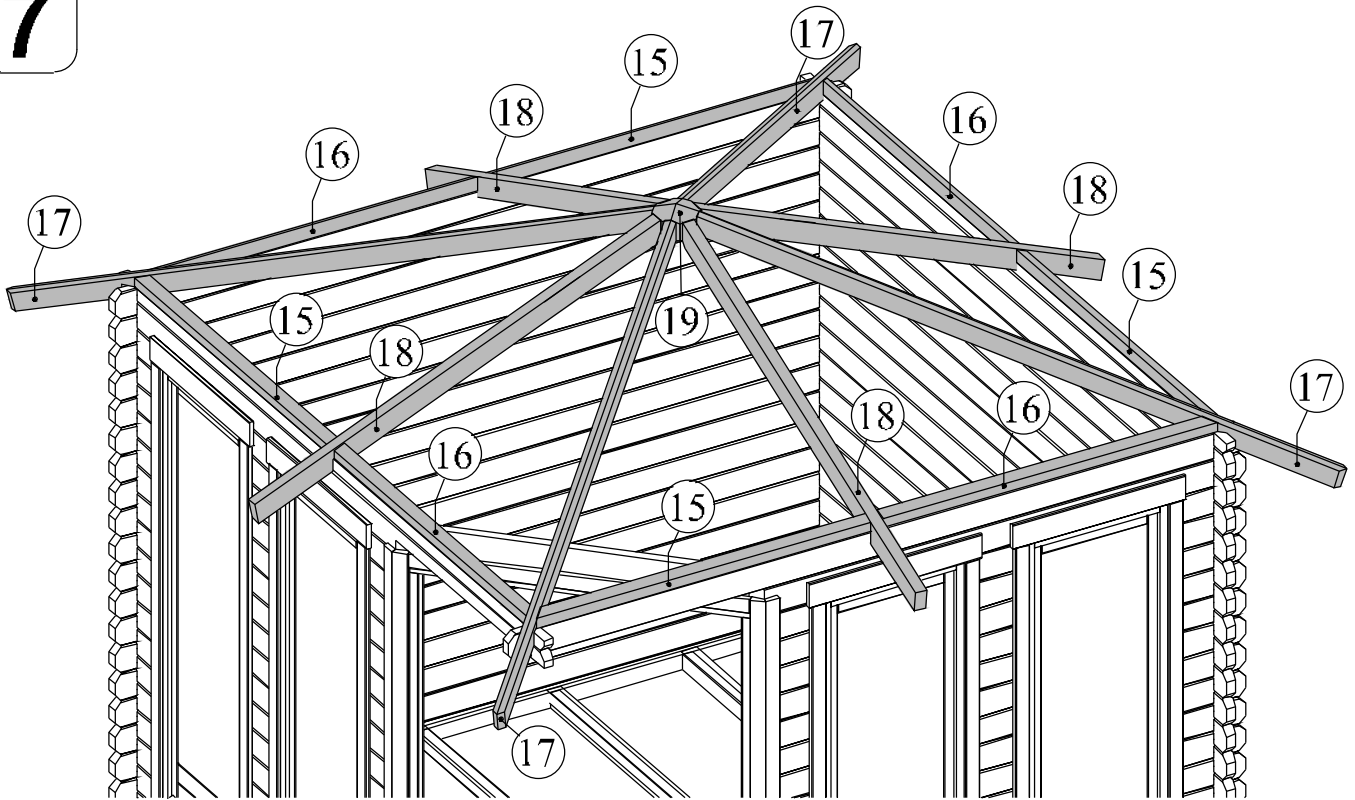


→||←40mm

2,98 x 2,98

**40034**

**7**

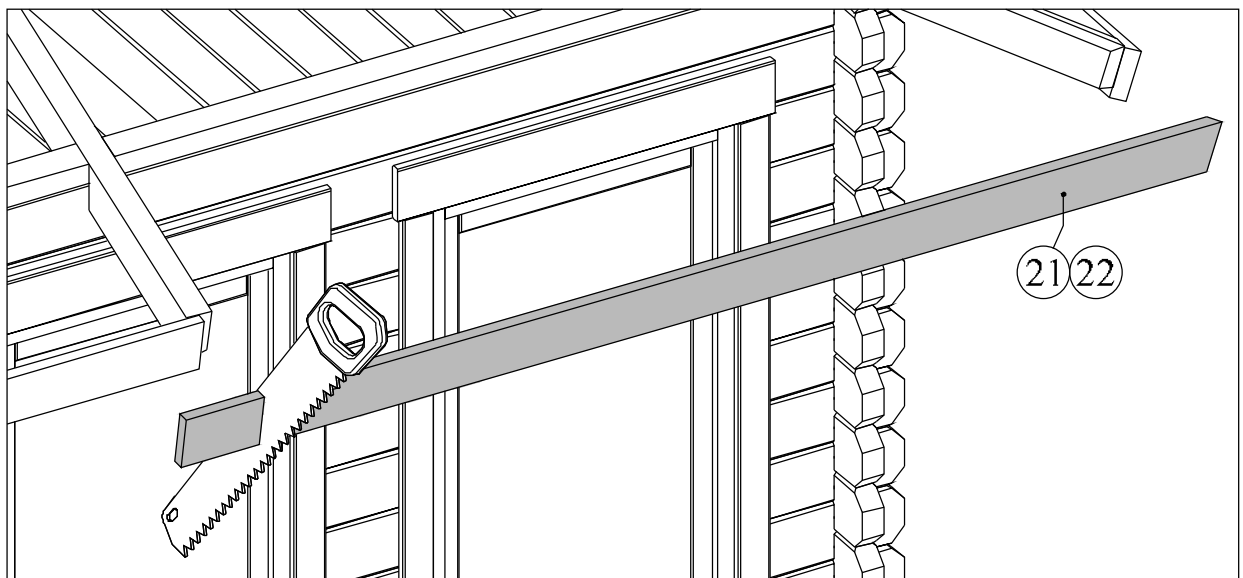
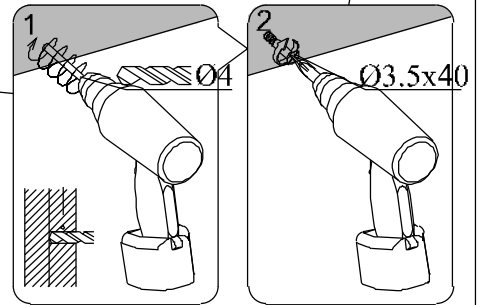
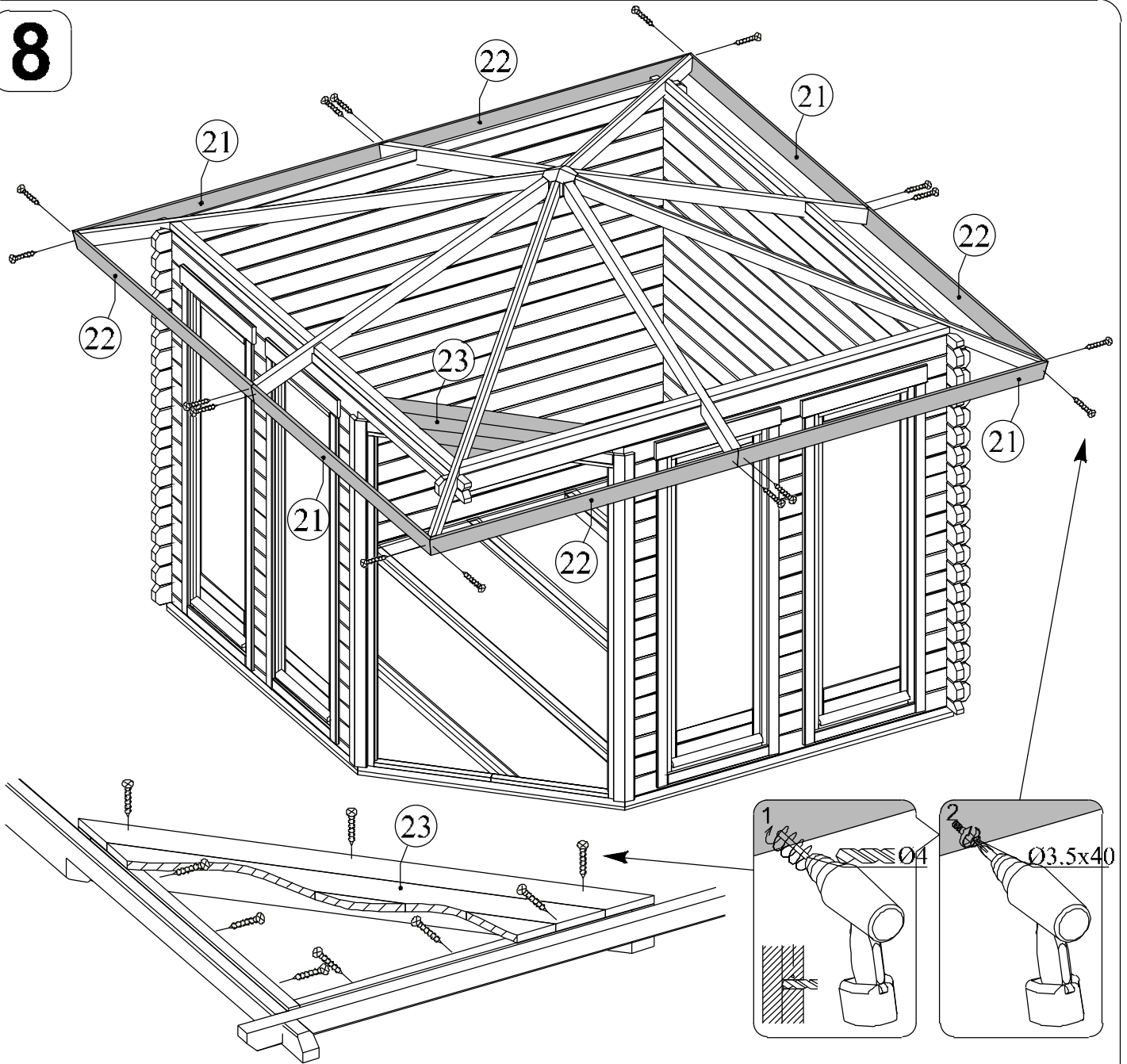


→||←40mm

2,98 x 2,98

**40034**

**8**

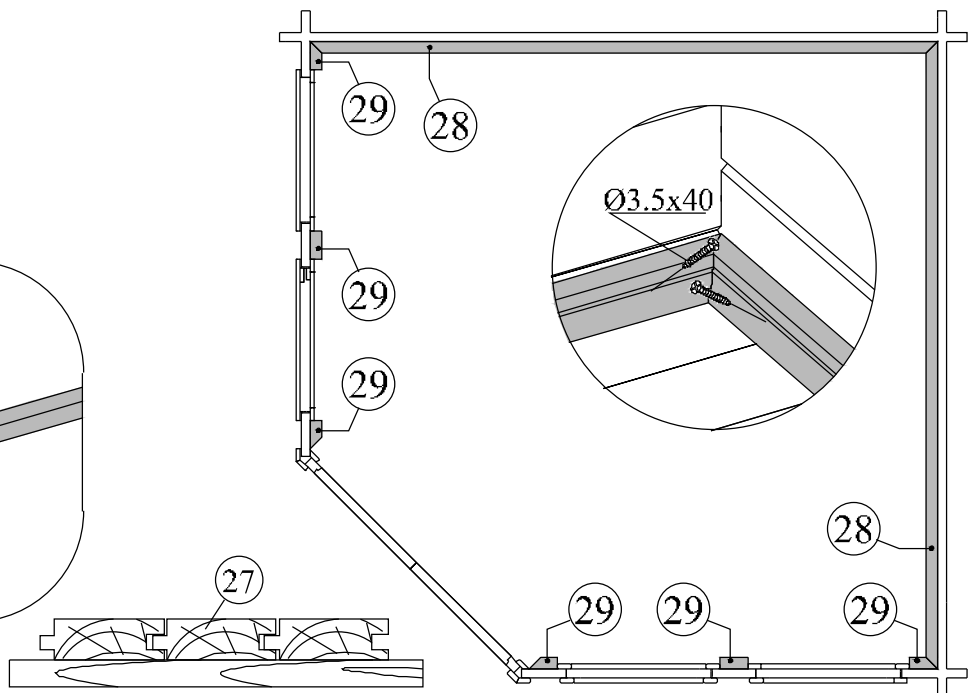
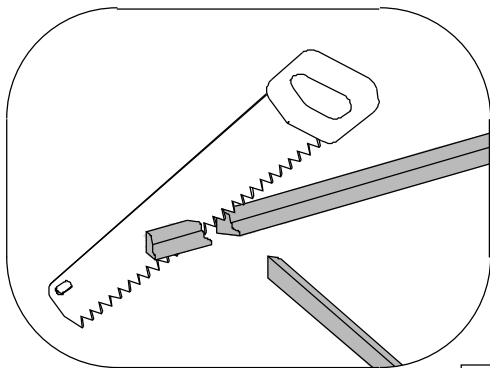
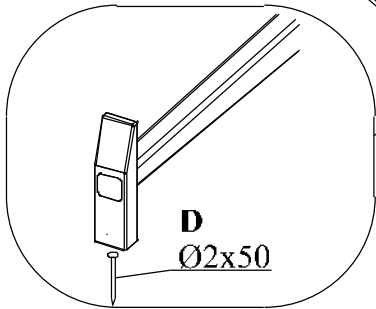
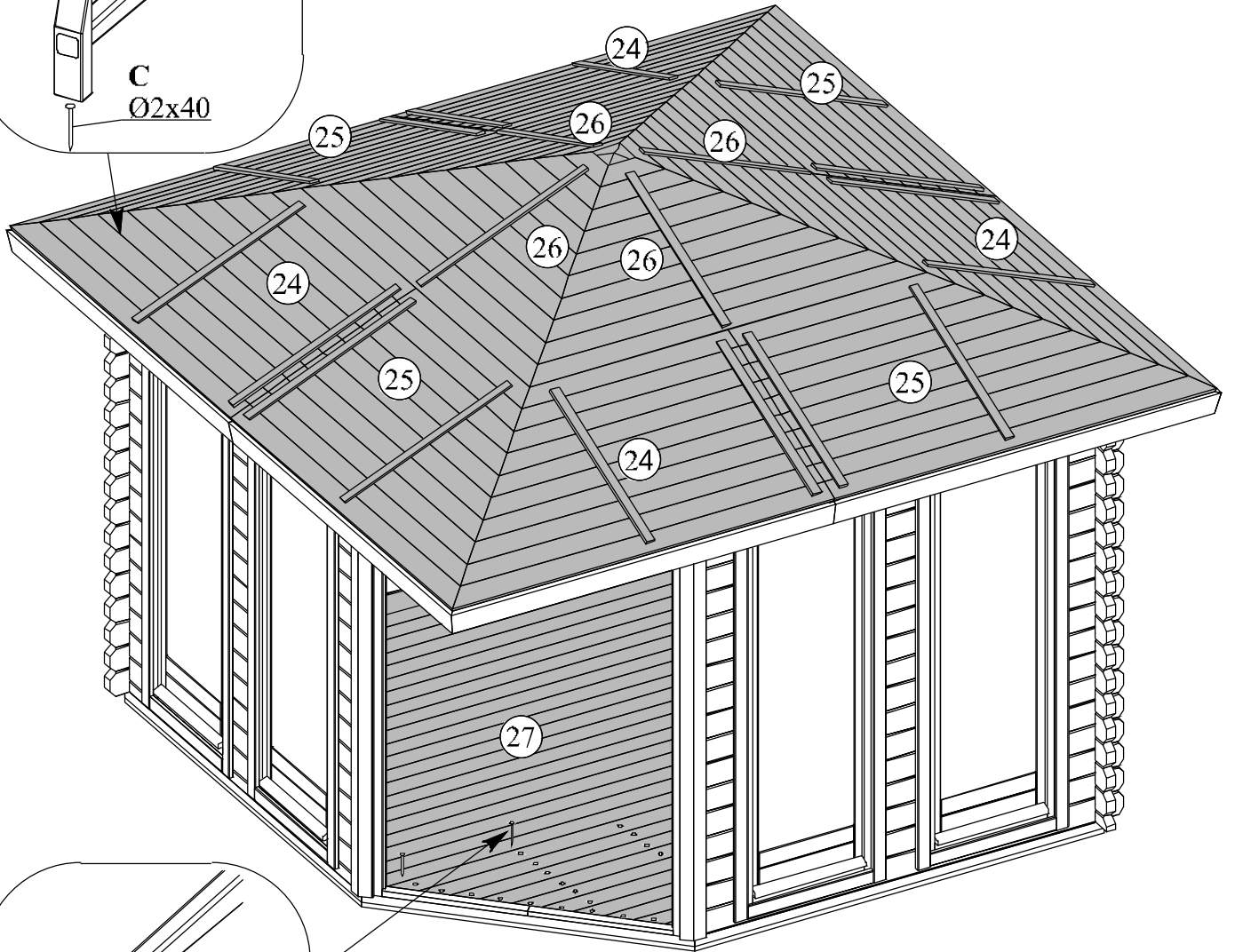
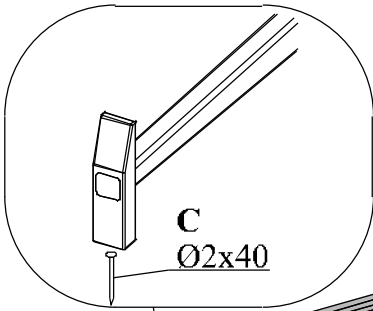


→||←40mm

2,98 x 2,98

40034

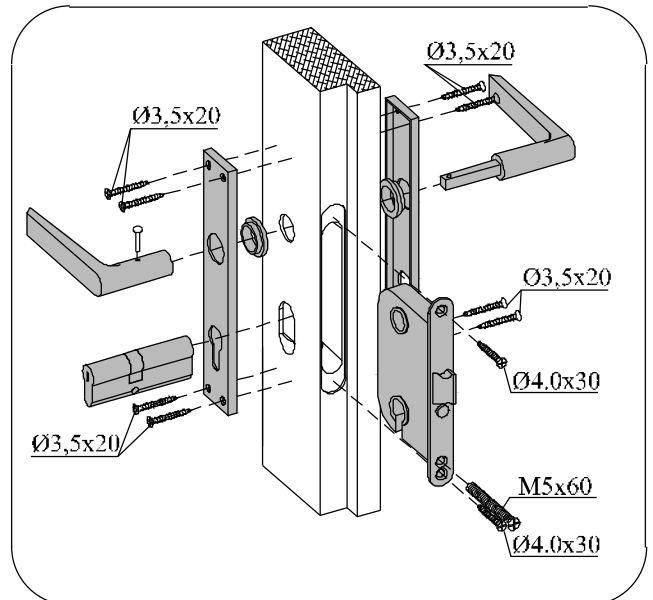
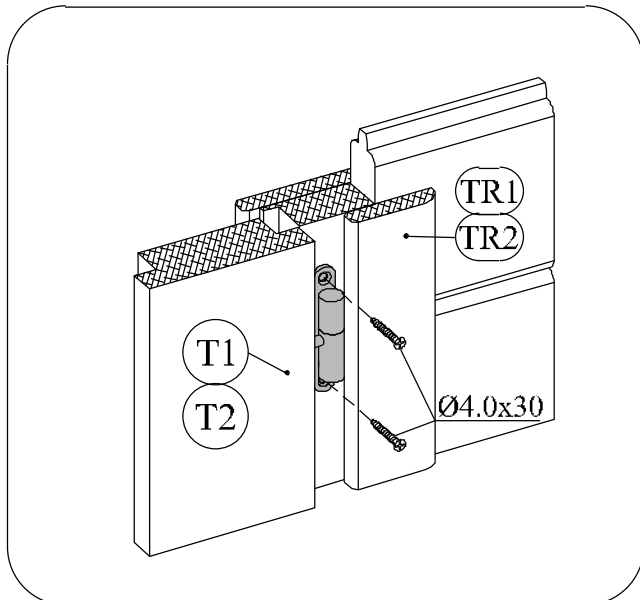
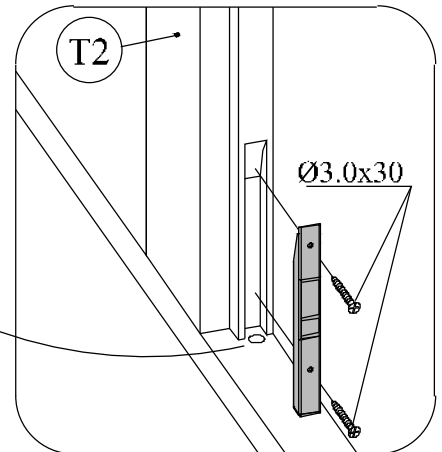
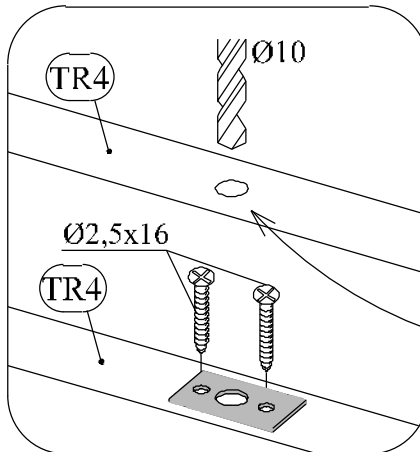
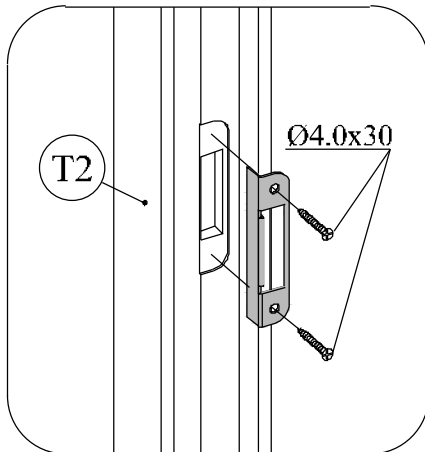
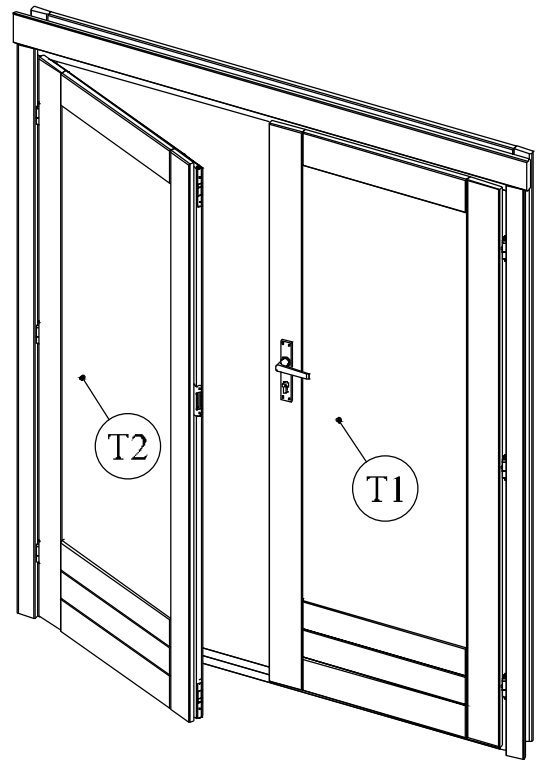
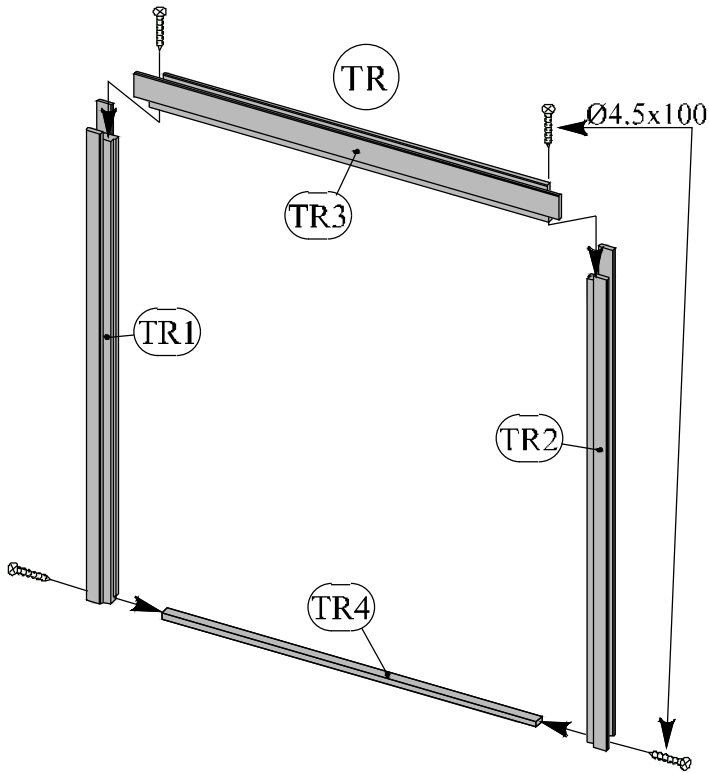
9



→ || ← 40mm

2,98 x 2,98

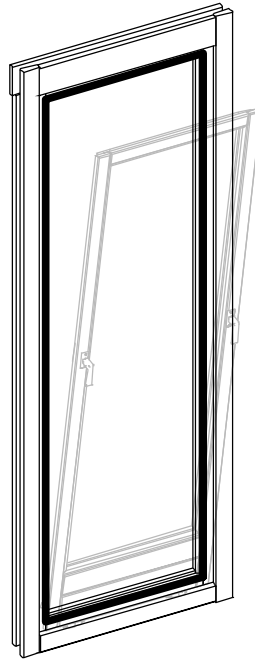
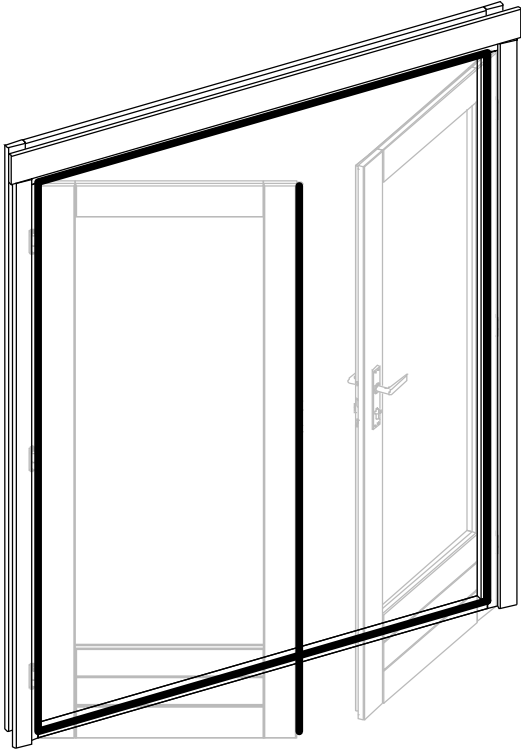
40034



→||←40mm

2,98 x 2,98

**40034**



Dichtgummi  
étanchéité en caoutchouc  
sealing rubber

